

NEW

**PNEUMATIC ZERO-POINT
CLAMPING SYSTEM**
vib DockLock AirLine



SWISS  MADE

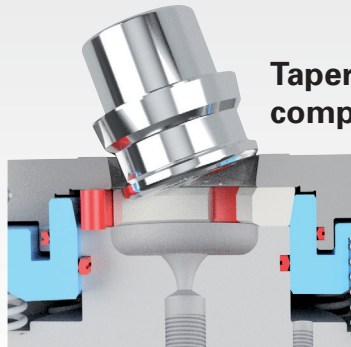
KURTO 
The Original AngLock® Vise Company

vb DOCK LOCK AirLine

System structure

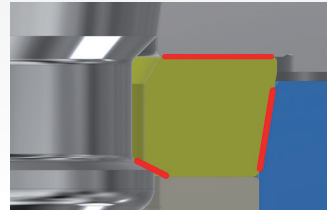


Form-fitting clamping system with clamp segments

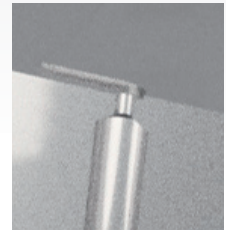


Tapered plug compact design

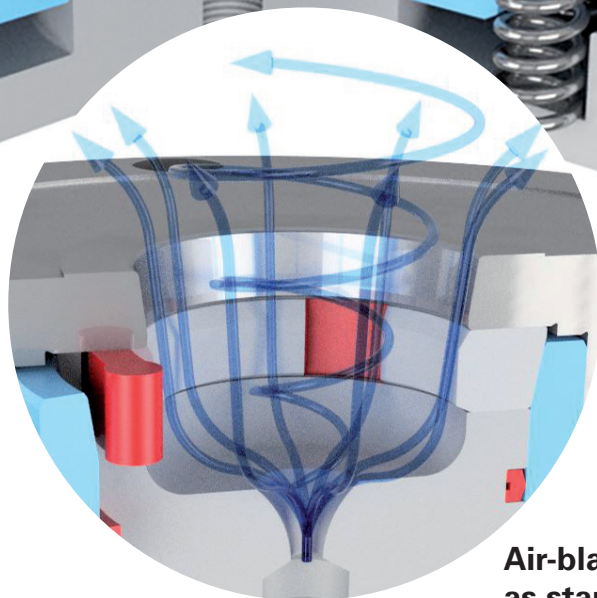
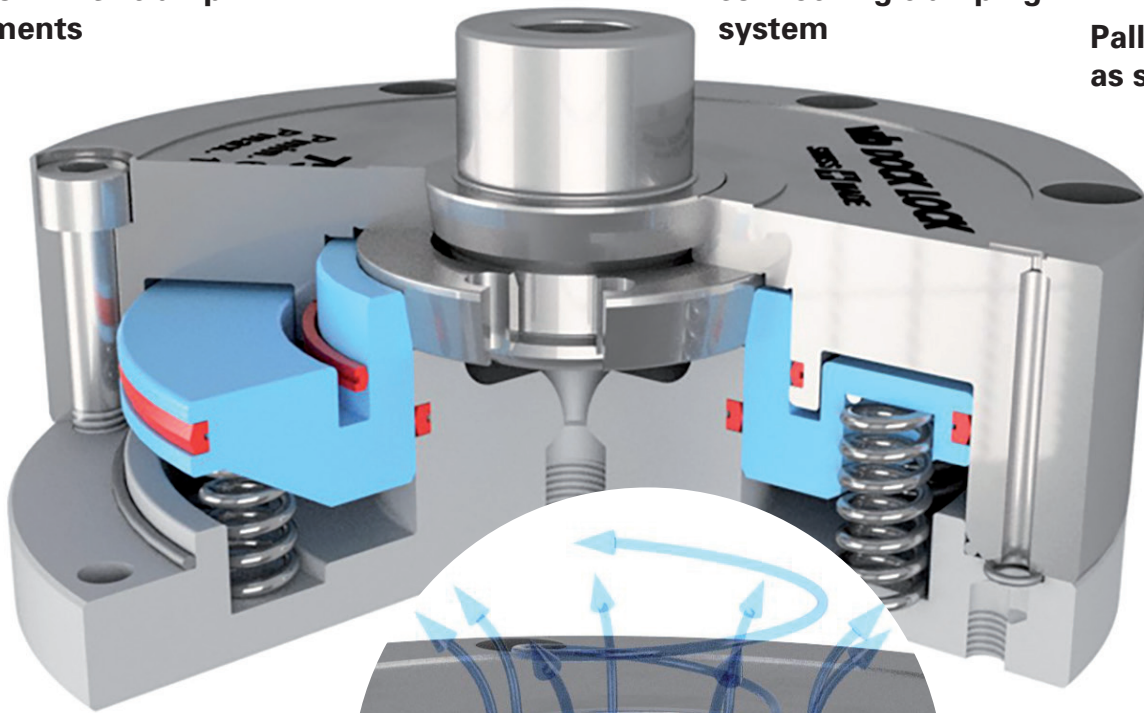
Tilted fixing with ease



3-surface contact self-locking clamping system



Pallet monitoring as standard

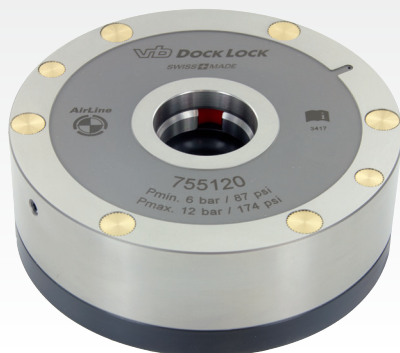


Air-blast cleaning as standard

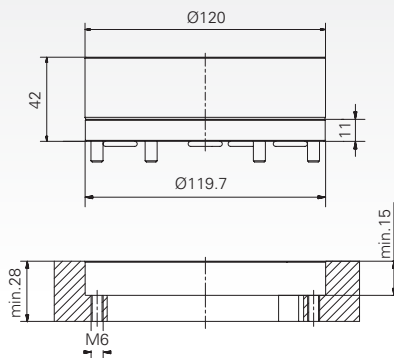
Pull-in force: > 2,800 Lbs. Retention force: > 9,000 Lbs. Repeat accuracy: < 0.0002"

vb DOCK LOCK AirLine®

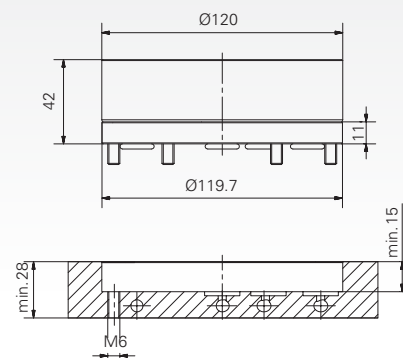
Flanged cylinders



Connection via tube on the underside



Connection via deep drilled holes



For in-house mounting please ask for instructions! Max. operating pressure 170 PSI.

Pull-in force: > 2,800 Lbs. Retention force: 9,000 Lbs.

Ref.	Description
755120	Flanged cylinder with air-blast cleaning through center and pallet monitoring
755120 I	Flanged cylinder indexable 4x90° with air-blast cleaning through center and pallet monitoring

vb DOCK LOCK AirLine®

Plugs

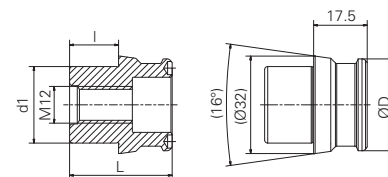
755500



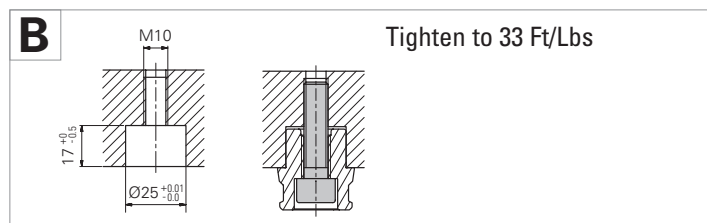
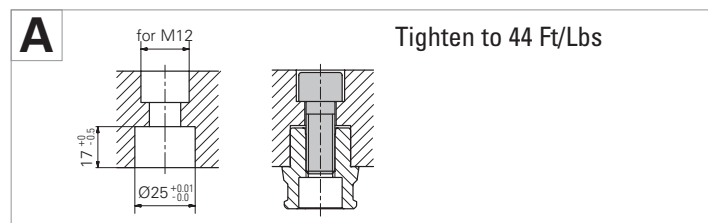
755510



755520



Plug fitting versions (preferably version A)

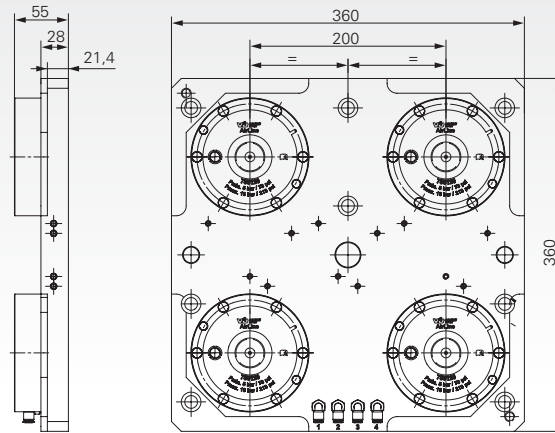
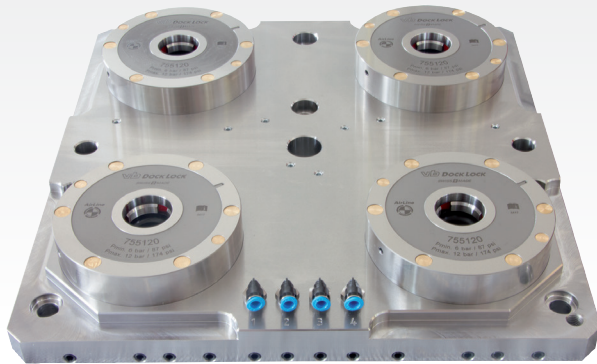


Ref.	Description	L	l	D	d1	Fitting version A	Fitting version B
755500	Centering plug	33.5	16	30	25	x	x
755510	Plug without centering	33.5	16	30	25	x	x
755520	Compensation plug	33.5	16	30	25	x	x

vb DOCK LOCK AirLine

Base plates / Basic pallets

4 unit base plate



1 - Release system ↑ ↑ Pallet monitoring - 4
 2 - Air-blast clean system ↑ ↑ Clamp the system - 3

Pull-in force: > 11,240 Lbs.

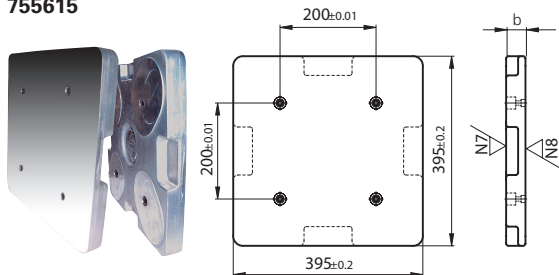
Retention force: 35,970 Lbs.

Repeat accuracy: < 0.0002"

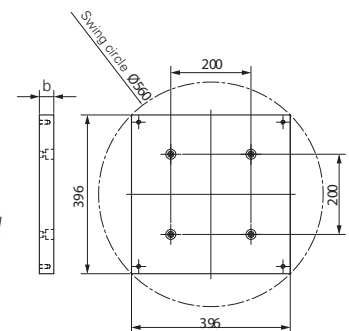
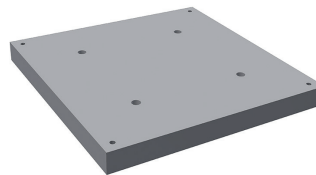
Ref.	Dimension	Spacing
755200	360 x 360 x 55 mm	200 x 200 mm ±0,01

4 unit basic pallets

755615



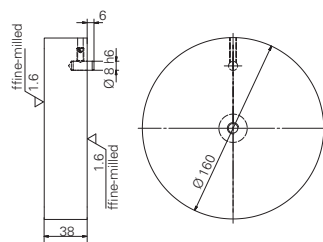
755610 ECO-4
755615 ECO-4



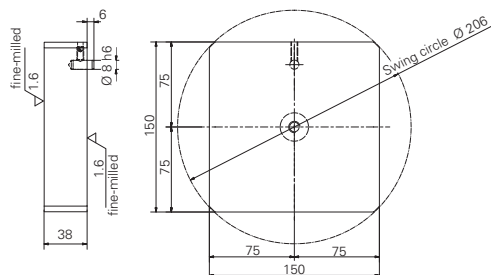
Ref.	Spacing	b	Material
755615	200 mm ± 0,01	40,3	High-strength aluminium AISiMg , plug bore face ground, top face raw machined
755610 ECO-4	200 mm ± 0,01	36	St. 52 steel , plug bore face and top face ground
755615 ECO-4	200 mm ± 0,01	40	High-strength aluminium AISiMg , plug bore face ground, top face raw machined

Basic pallets indexable

755601-1



755602-1



Ref.	Description	Dimension	Material
755601-1	Pallets indexable round incl. positioning pin	Ø 160 x 38 mm	High-strength aluminium
755602-1	Pallets indexable square incl. positioning pin	150 x 150 x 38 mm	High-strength aluminium