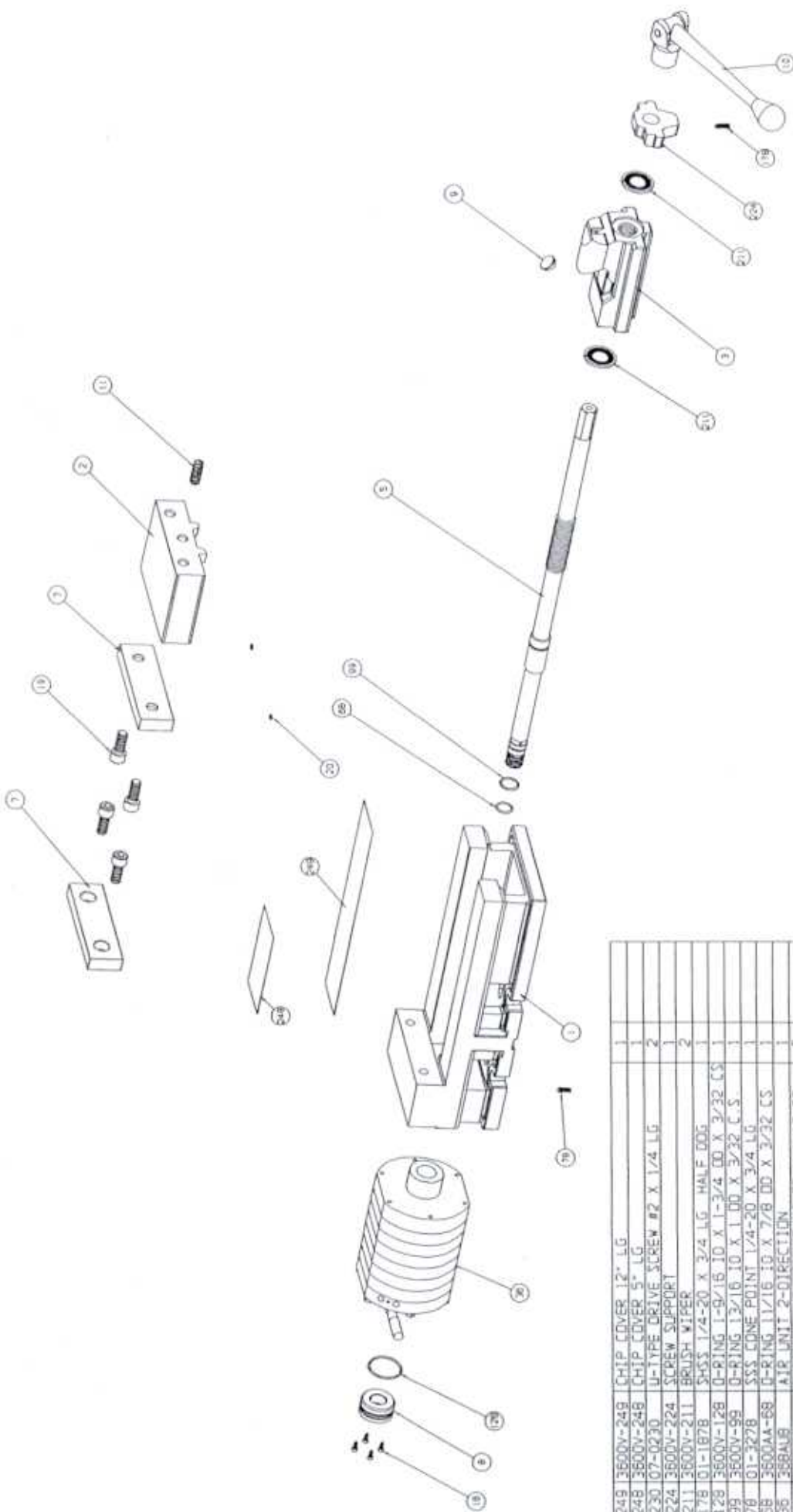
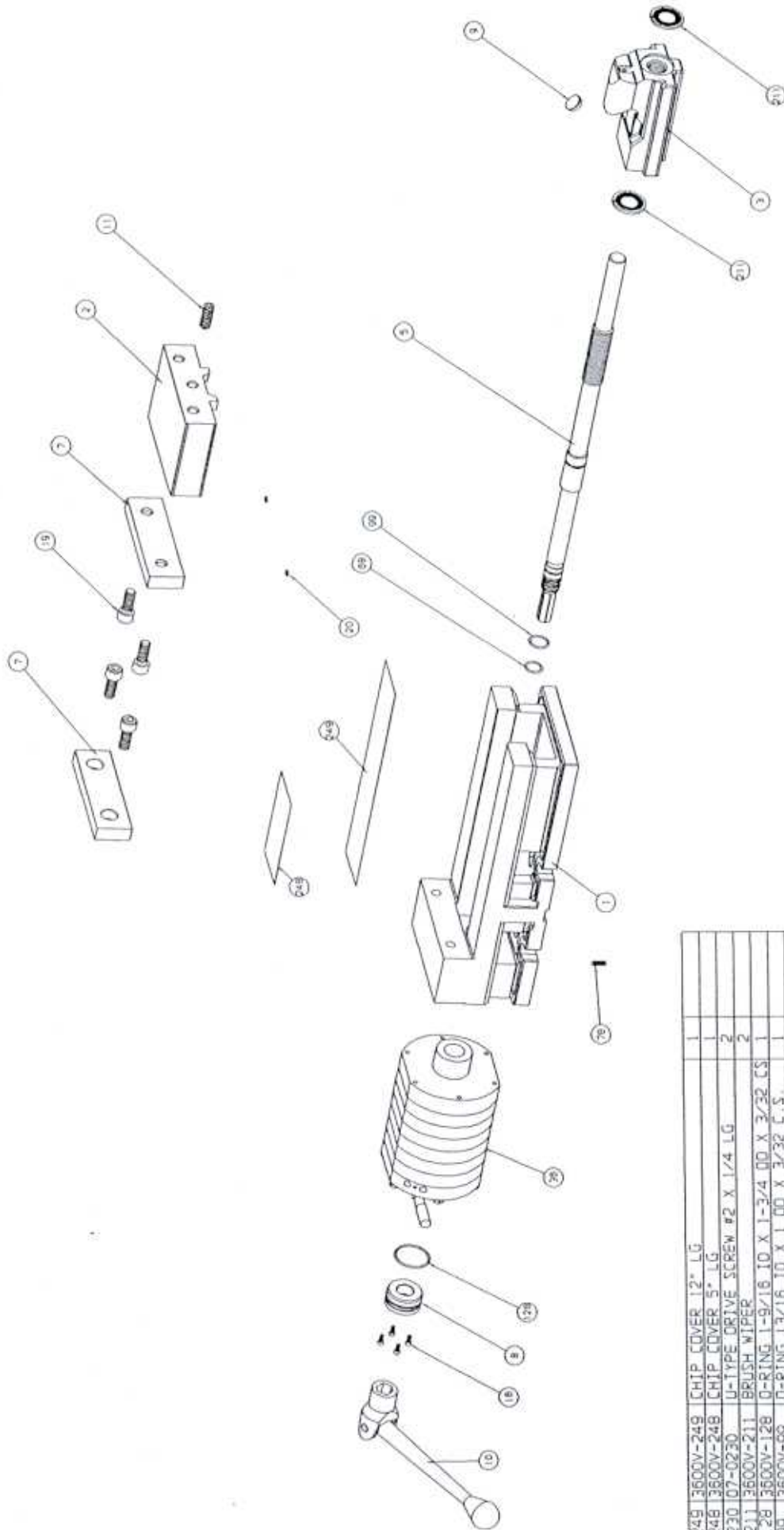


3600A™ REPLACEMENT PART



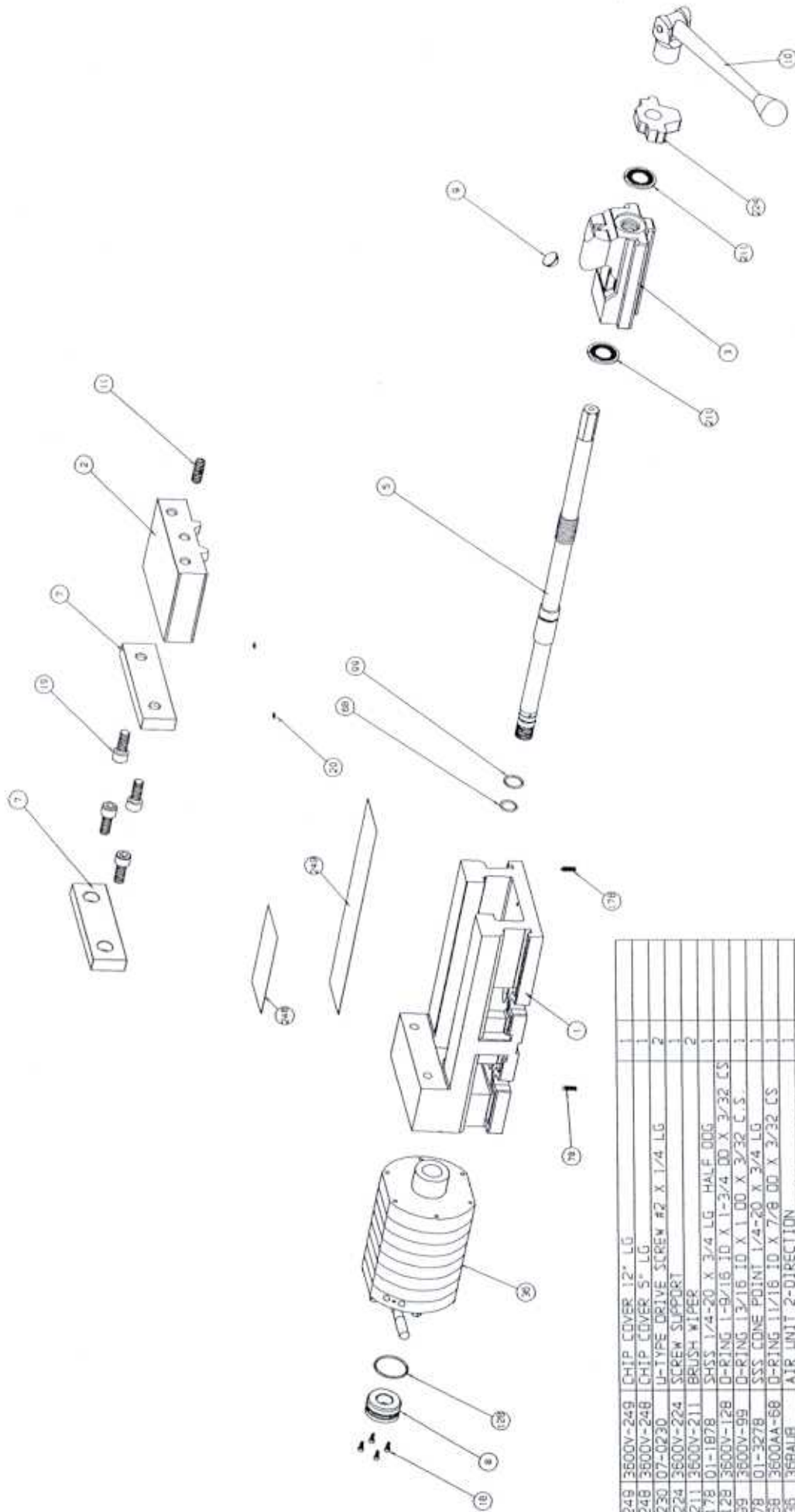
PART NO.	DESCRIPTION	QTY	PRICE
249	3600V-249 CHIP COVER 12" LG	1	
248	3600V-248 CHIP COVER 5" LG	1	
230	07-0230 U-TYPE DRIVE SCREW #2 X 1/4 LG	2	
224	3600V-224 SCREW SUPPORT	1	
211	3600V-211 BRUSH WIPER	2	
178	01-187B SHSS 1/4-20 X 3/4 LG HALF DOG	1	
128	3600V-128 O-RING 1-9/16 ID X 1-3/4 OD X 3/32 CS	1	
99	3600V-99 O-RING 1-3/16 ID X 1.00 X 3/32 C.S.	1	
76	01-327B SSS CONE POINT 1/4-20 X 3/4 LG	1	
66	3600AA-66 O-RING 1 1/16 ID X 7/8 OD X 3/32 CS	1	
36	36BA18 AIR UNIT 2-DIRECTION	1	
20	225-20 O-RING 3/16 ID X 5/16 OD X 1/16 CS	2	
19	00-1419 SHCS 1/2 - 13NC X 1-1/4 LG	4	
18	00-1191 SHCS #8-32 UNC X 3/8 LG	4	
11	3600V-11A ADJUSTING SCREW	1	
10	060-10A-SA HANDLE ASSEMBLY	1	
9	060-9 SEGMENT	1	
8	3600V-8 RETAINING NUT 2-PIECE	1	
7	060-7 JAW PLATE	2	
5	360AJ-5 SCREW	1	
3	3600V-3 NUT MACHINING	1	
2	3600V-2 MOVABLE JAW	1	
1	3600V-1 BODY MACHINING	1	

3610A™ REPLACEMENT PART



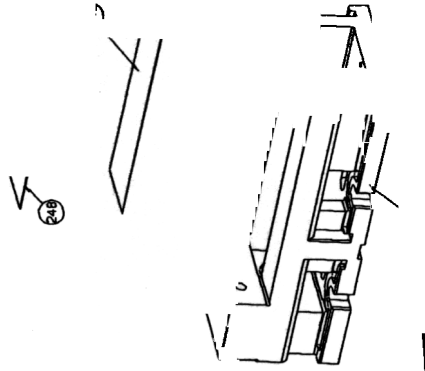
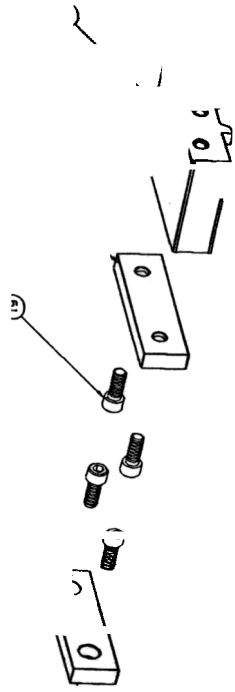
PART NO.	DESCRIPTION	QTY	PRICE
249	3600V-249 CHIP COVER 12" LG	1	
248	3600V-248 CHIP COVER 5" LG	1	
230	07-0230 U-TYPE DRIVE SCREW #2 X 1/4 LG	2	
211	3600V-211 BRUSH WIPER	2	
128	3600V-128 O-RING 1-9/16 ID X 1-3/4 OD X 3/32 CS	1	
99	3600V-99 O-RING 1-9/16 ID X 1-00 X 3/32 C.S.	1	
78	01-3278 SSS CONE POINT 1/4-20 X 3/4 LG	1	
68	3600AA-68 O-RING 1 1/16 ID X 7/8 OD X 3/32 CS	1	
36	36BAUG AIR UNIT 2-DIRECTION	1	
20	225-20 O-RING 3/16 ID X 5/16 OD X 1/16 CS	2	
19	00-1419 SHCS 1/2 - 13NC X 1-1/4 LG	4	
18	00-1191 SHCS #8-32 UNC X 3/8 LG	4	
11	3600V-11A ADJUSTING SCREW	1	
10	050-10A-SAL HANDLE ASSEMBLY	1	
9	060-9 SEGMENT	1	
8	3600V-8 RETAINING NUT 2-PIECE	1	
7	060-7 JAW PLATE	2	
5	361AU-5 SCREW	1	
3	2610V-3 NUT MACHINING	1	
2	3600V-2 MOVABLE JAW	1	
1	3600V-1 BODY MACHINING	1	

3620A™ REPLACEMENT PART



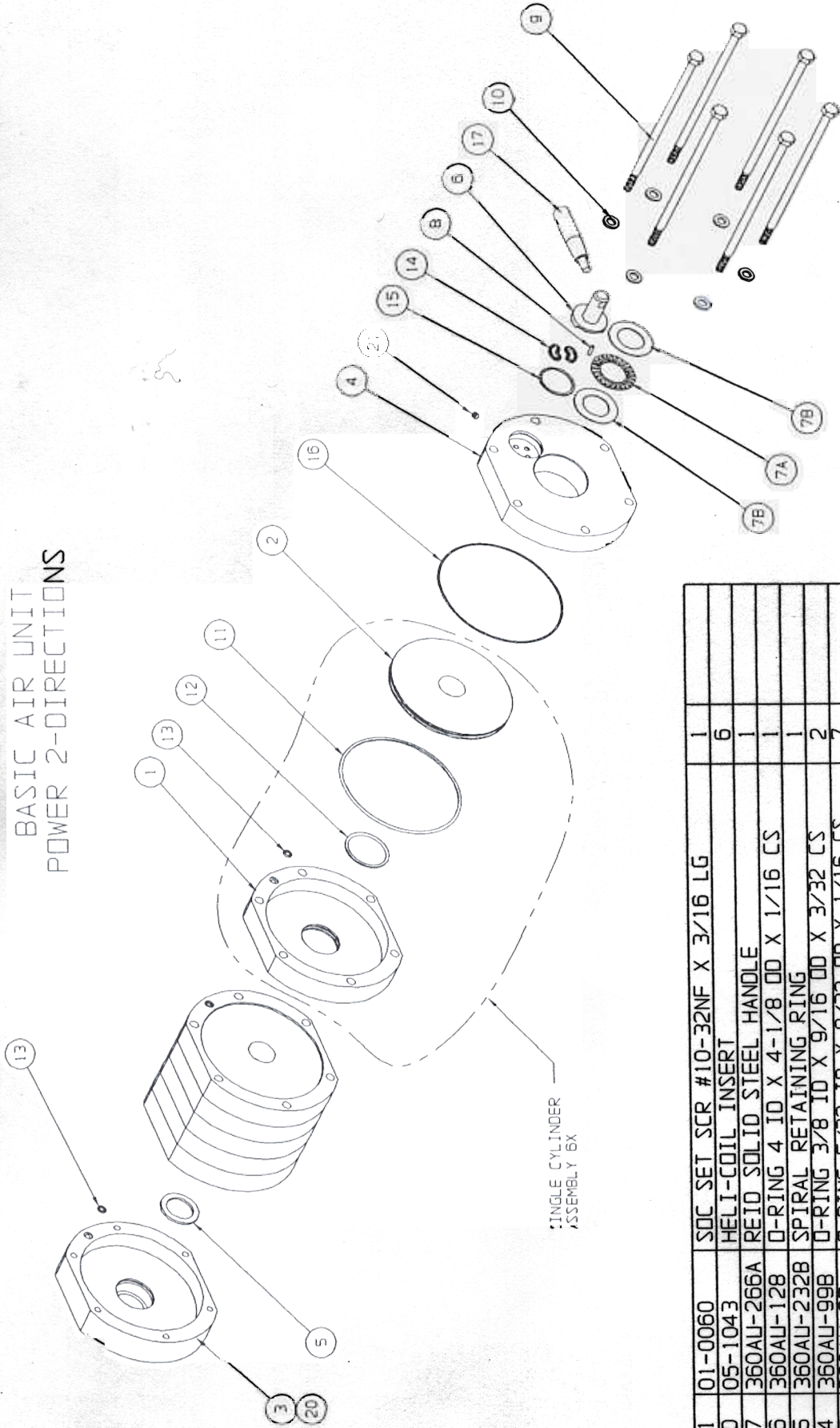
PART NO.	DESCRIPTION	QTY	PRICE
249	3600V-249 CHIP COVER 12" LG	1	
248	3600V-248 CHIP COVER 5" LG	1	
230	07-0230 U-TYPE DRIVE SCREW #2 X 1/4 LG	2	
224	3600V-224 SCREW SUPPORT	1	
211	3600V-211 BRUSH WIPER	2	
178	01-1878 SHSS 1/4-20 X 3/4 LG HALF OOG	1	
128	3600V-128 O-RING 1-9/16 ID X 1-3/4 OD X 3/32 CS	1	
99	3600V-99 O-RING 13/16 ID X 1.00 X 3/32 C.S.	1	
78	01-3278 SSS CONE POINT 1/4-20 X 3/4 LG	1	
68	3600AA-68 O-RING 11/16 ID X 7/8 OD X 3/32 CS	1	
36	369AUB AIR UNIT 2-DIRECTION	1	
20	225-20 O-RING 3/16 ID X 5/16 OD X 1/16 CS	2	
19	00-1419 SHCS 1/2 - 13NC X 1-1/4 LG	4	
18	00-1191 SHCS #8-32 UNC X 3/8 LG	4	
11	3600V-11A ADJUSTING SCREW	1	
10	060-10A-SA HANDLE ASSEMBLY	1	
9	060-9 SEGMENT	1	
8	3600V-8 RETAINING NUT 2-PIECE	1	
7	060-7 JAW PLATE	2	
5	362AU-5 SCREW	1	
3	3600V-3 NUT MACHINING	1	
2	3600V-2 MOVABLE JAW	1	
1	3620V-1 BODY MACHINING	1	

3630A™ REPLACEMENT



PART NO.	DESCRIPTION	QTY	PRICE
249	3600V-249 CHIP COVER 12" LG	1	
248	3600V-248 CHIP COVER 5" LG	1	
230	07-0230 U-TYPE DRIVE SCREW #2 X 1/4 LG	2	
211	3600V-211 BRUSH WIPER	2	
128	3600V-128 O-RING 1-9/16 ID X 1-3/4 OD X 3/32 CS	1	
99	3600V-99 O-RING 1-3/16 ID X 1.00 X 3/32 C.S.	1	
78	01-3278 SSS CONE POINT 1/4-20 X 3/4 LG	1	
68	3600AA-68 O-RING 1 1/16 ID X 7/8 OD X 3/32 CS	1	
36	36BAUB AIR UNIT 2-DIRECTION	1	
20	225-20 O-RING 3/16 ID X 5/16 OD X 1/16 CS	2	
19	00-1419 SHCS 1/2 - 13NC X 1-1/4 LG	4	
18	00-1191 SHCS #8-32 UNC X 3/8 LG	4	
11	3600V-11A ADJUSTING SCREW	1	
10	D50-10A-SA HANDLE ASSEMBLY	1	
9	060-9 SEGMENT	1	
8	3600V-B RETAINING NUT 2-PIECE	1	
7	060-7 JAW PLATE	2	
5	363AU-5 SCREW	1	
3	3810V-3 NUT MACHINING	1	
2	3600V-2 MOVABLE JAW	1	
1	3620V-1 BODY MACHINING	1	

BASIC AIR UNIT  
POWER 2-DIRECTIONS



CYLINDER  
ASSEMBLY BX

36BAUB

PART NO.	DESCRIPTION	QTY	PRICE
21	01-0060 SOC SET SCR #10-32NF X 3/16 LG	1	
20	05-1043 HELI-COIL INSERT	6	
17	360AU-266A REID SOLID STEEL HANDLE	1	
16	360AU-128 O-RING 4 ID X 4-1/8 OD X 1/16 CS	1	
15	360AU-232B SPIRAL RETAINING RING	1	
14	360AU-998 O-RING 3/8 ID X 9/16 OD X 3/32 CS	2	
13	360AU-97 O-RING 5/32 ID X 9/32 OD X 1/16 CS	7	
12	360AU-98 O-RING 1-1/4 ID X 1-7/16 OD X 3/32 CS	7	
11	360AU-96 O-RING 3-3/4 ID X 3-15/16 OD X 3/32 CS	7	
10	06-1331 FLAT WASHER FOR 1/4 DIA BOLT	6	
9	02-3310 HEX HEAD CAP SCREW 1/4-20NC X 6 LG	6	
8	04-0010 DOWEL PIN 3/32 X 3/8 LG	1	
7B	360AU-42 TRUST WASHER	2	
7A	D50-41 TRUST BEARING	1	
6	360AU-254B VALVE	1	
5	360AU-230 WASHER	1	
4	360AU-253B END PLATE	1	
3	360AU-252B BODY RETAINER	1	
2	360AU-251 PISTON	7	
1	360AU-250A BODY SEGMENT	6	