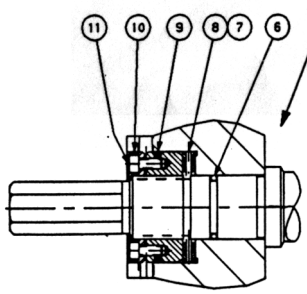
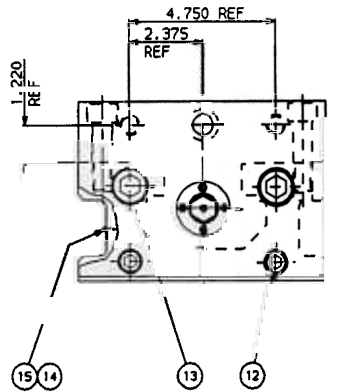
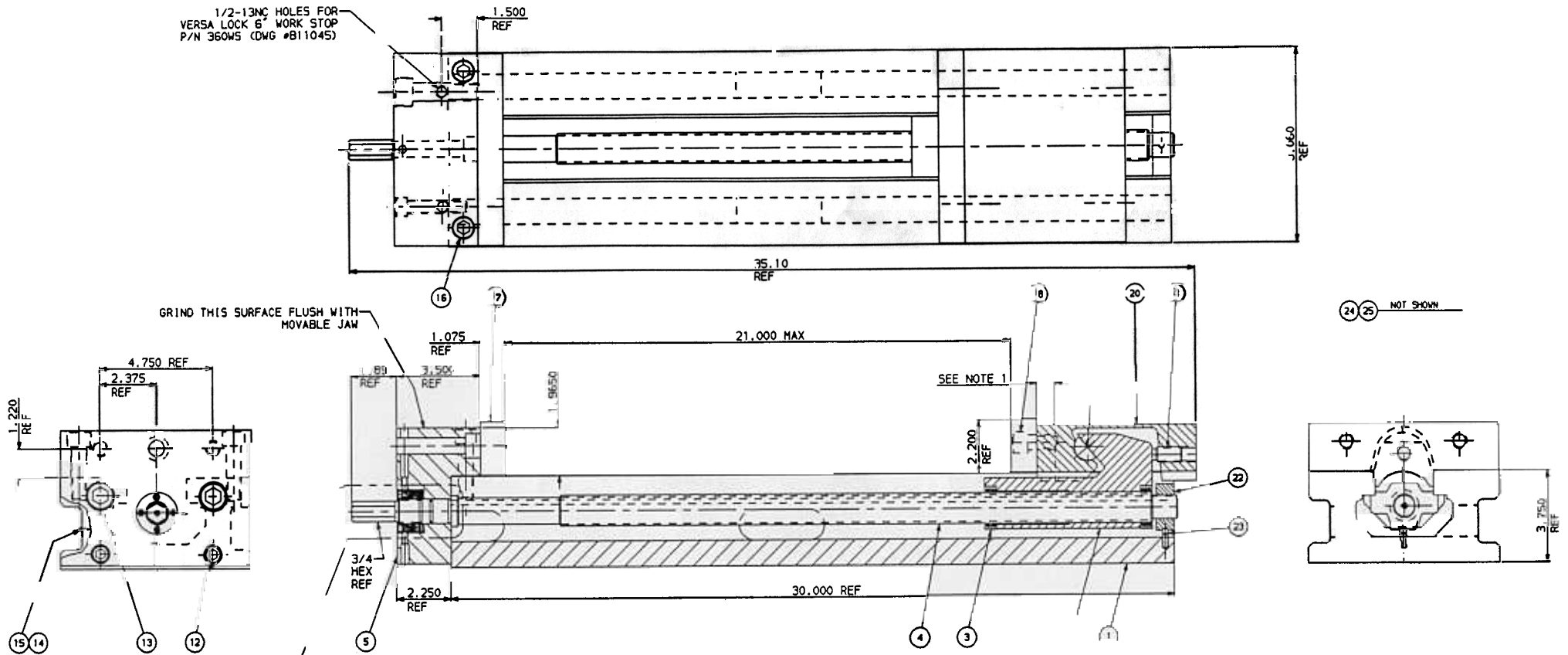


REV	ECO	DESCRIPTION	DATE	BY
A	Y0840	RELEASED	10/01/88	SJD



FULL SCALE

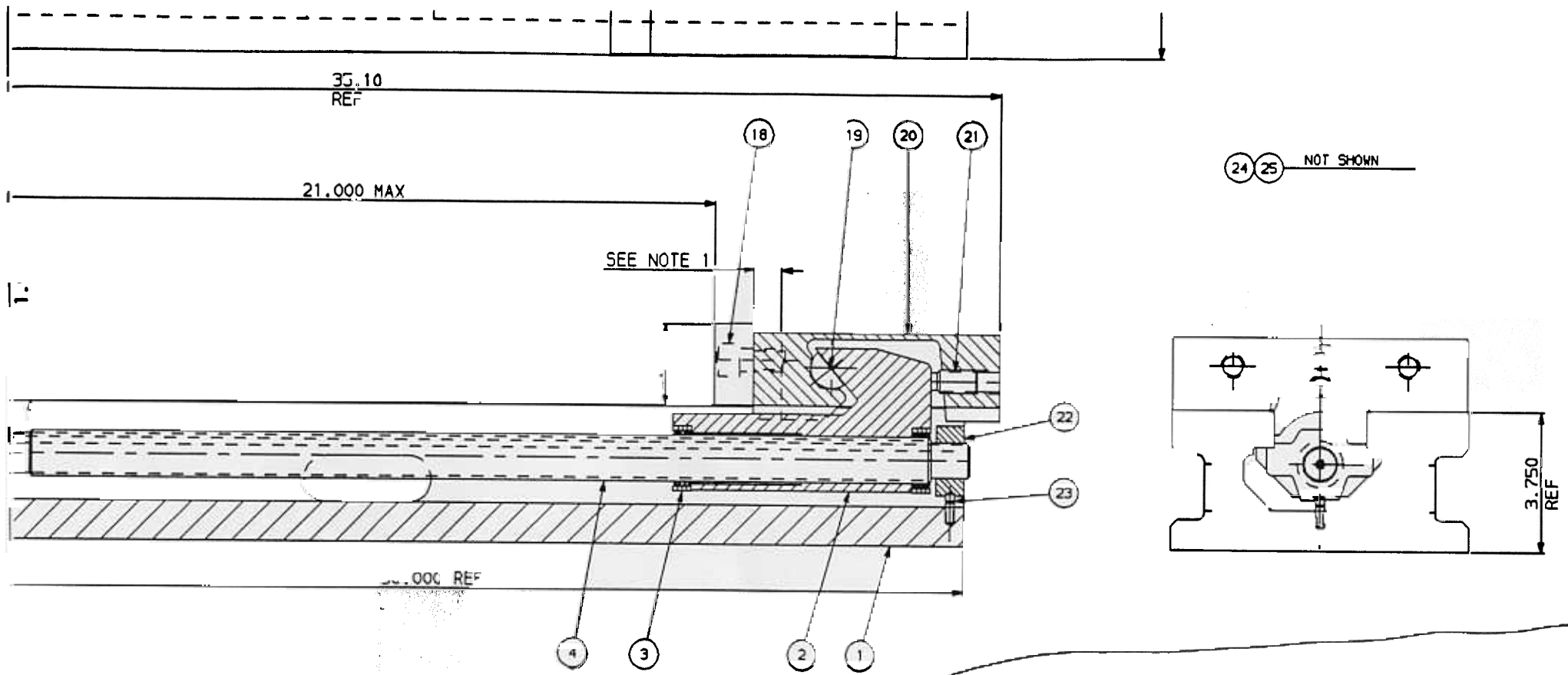
NOTES.
 1. IF REQUIRED, CAN REMOVE .750 STOCK FROM FRONT EDGE ON MOVABLE JAW AND STILL CLOSE VISE TO ZERO. OPENING WOULD BECOME 21.750.

ITEM	PART NO.	DWG. NO.	DESCRIPTION	QTY.	PAR / UNIT
25	BXLPTLS-249	NO DWG	CHIP GUARD .015 X 3.750 X 24.00	1	P
24	D60-10-54	C10231	HANDLE ASSEMBLY	1	P
23	08-0010	NO DWG	50 HD SET SCR 1/4-20NC X 5/8 LG	1	P
22	BXLPTLS-224	B18454	SCREW SUPPORT	1	M
21	01-3953	NO DWG	W/CRIMP END 1/4-20NC X 3/8 LG	1	P
20	080-2	D1362	MOVABLE JAW	1	M
19	080-3	B10871	SEGMENT	1	M
18	00-146	NO DWG	SHCS 5/8-11NC X 1 1/4 LG	4	P
17	080-7	B1366	JAW PLATE	2	M

16	00-1466	NO DWG	SHCS 5/8-11NC X 2 1/4 LG	2	P
15	07-0230	NO DWG	U-TYPE DRIVE SCREW #2 X 1/4 LG	2	P
14	BXLPTLSR-102	A18552	W/CRIMP END 1/4-20NC X 3/8 LG	1	P
13	00-1519	NO DWG	SHCS 3/4-10NC X 2 3/4 LG	2	P
12	00-1425	NO DWG	SHCS 1/2-13NC X 2 1/2 LG	2	P
11	00-1191	NO DWG	SHCS #8-32NC X 3/8 LG	4	P
10	3610V-8	C11072	2-PIECE RETAINING NUT	1	M
9	3600V-128	NO DWG	W/CRIMP END 1/4-20NC X 3/8 LG	1	P
8	080-41	NO DWG	W/CRIMP END 1/4-20NC X 3/8 LG	1	P
7	3600V-42	NO DWG	W/CRIMP END 1/4-20NC X 3/8 LG	1	P
6	3600V-99	NO DWG	W/CRIMP END 1/4-20NC X 3/8 LG	1	P
5	BXLPTLS-212	D18452	HOLDING BLOCK	1	M
4	BXLPTLSR-5	D18550	SCREW	1	M
3	P1800-211	B10888	INTERNAL BRUSH SEAL	8	P
2	BXLPTLSR-3	C18551	NUT	1	M
1	BXLPTLS-1	D18449	MACHINED BODY	1	M

ITEM	PART NO.	DWG. NO.	DESCRIPTION	QTY.	PAR / UNIT
V. CC/M. BXLPTLSR					
			8" EXTRA LONG PULL TYPE LONG STROKE REVERSE D18848 BXLPTLSR BXLPTLSR ASSEMBLY		

BXLPTLSR
 SHEET OF 2



ENLARGED

FD

8XLPTLSR
SHEET 2 OF 2

NO STOCK FROM
AND STILL CLOSE
BECOME 21.750

ITEM	PART NO.	DWG. NO.	DESCRIPTION	QTY.	PUR / MFR
25	8XLPTLSS-249	NO DWG	CHIP GUARD .015 X 2.750 X 24.00	1	P
24	D60-10-SA	C10231	HANDLE ASSEMBLY	1	P
23	08-0010	NO DWG	SQ HD SET SCR 1/4-20NC X 5/8 LG	1	P
22	8XLPTLSS-224	B18454	SCREW SUPPORT	1	M
21	01-3953	NO DWG	SQC HD SET SCR-HALF DRG-LONG LOCK OPTION STRIP ONLY 5/8-11NC X 1 1/4 LG	1	P
20	D80-2	D1362	MOVABLE JAW	1	M
19	D80-9	B10671	SEGMENT	1	M
18	00-1481	NO DWG	SHCS 5/8-11NC X 1 1/4 LG	4	P
17	D80-7	B1366	JAW PLATE	2	M

16	00-1486	NO DWG	SHCS 5/8-11NC X 2 1/4 LG	2	P
15	07-0230	NO DWG	U-TYPE DRIVE SCREW #2 X 1/4 LG	2	P
14	8XLPTLSR-102	A18552	MODEL/SERIAL NUMBER TWO 831 X 1 3/8 X 2 5/8	1	P
13	00-1519	NO DWG	SHCS 3/4-10NC X 2 3/4 LG	2	P
12	00-1425	NO DWG	SHCS 1/2-13NC X 2 1/2 LG	2	P
11	00-1191	NO DWG	SHCS #8-32NC X 3/8 LG	4	P
10	3610V-8	C11072	2-PIECE RETAINING NUT	1	M
9	3600V-128	NO DWG	O-RING 1 3/16 I.D. X 1 3/4 O.D. X 3/32 CS 70 SUBSTITUTED #128	1	P
8	D80-41	NO DWG	FORMATION BEARING #17A-1680	1	P
7	3600V-42	NO DWG	FORMATION BEARING #17B-1620 1.128 I.D. X 1.728 O.D. X .063 THICK	2	P
6	3600V-99	NO DWG	O-RING 1 3/16 I.D. X 1 1/2 O.D. X 3/32 CS 70 SUBSTITUTED #117	1	P
5	8XLPTLSS-212	D18452	HOLDING BLOCK	1	M
4	8XLPTLSR-5	D18550	SCREW	1	M
3	PT800-211	B10889	INTERNAL BRUSH SEAL	8	P
2	8XLPTLSR-3	C18551	NUT	1	M
1	8XLPTLSS-1	D18449	MACHINED BODY	1	M

ITEM	PART NO.	DWG. NO.	DESCRIPTION	QTY.	PUR / MFR
------	----------	----------	-------------	------	-----------

V. CC/M. 8XLPTLSR

	TOLERANCES UNLESS NOTED IN CHANGES DECIMALS: .1 & .05 .XX & .02 .XXX & .01 FRACTIONS: 1/16, 1/8, 1/4, 3/8, 1/2, 3/4, 1, 1 1/4, 1 1/2, 2, 3, 4, 6, 8, 12, 16, 24, 36, 48, 60, 72, 96, 120, 144, 180, 240, 360, 480, 720, 1440	TOOL NAME 8" EXTRA LONG PULL TYPE LONG STROKE REVERSE	MODEL OF TOOL PART NO. D18549 REVISION LEVEL A	
	DESIGNER BERNSTEIN DETAILER DIRSCHEL 10/07/93 CHECKED APPROVED	DESCRIPTION OF MATERIAL ASSEMBLY	CUSTOMER 8XLPTLSR CONF. PART NO. 8XLPTLSR	TOOL NO. SCALE 1/2 SHEET 1 OF 1