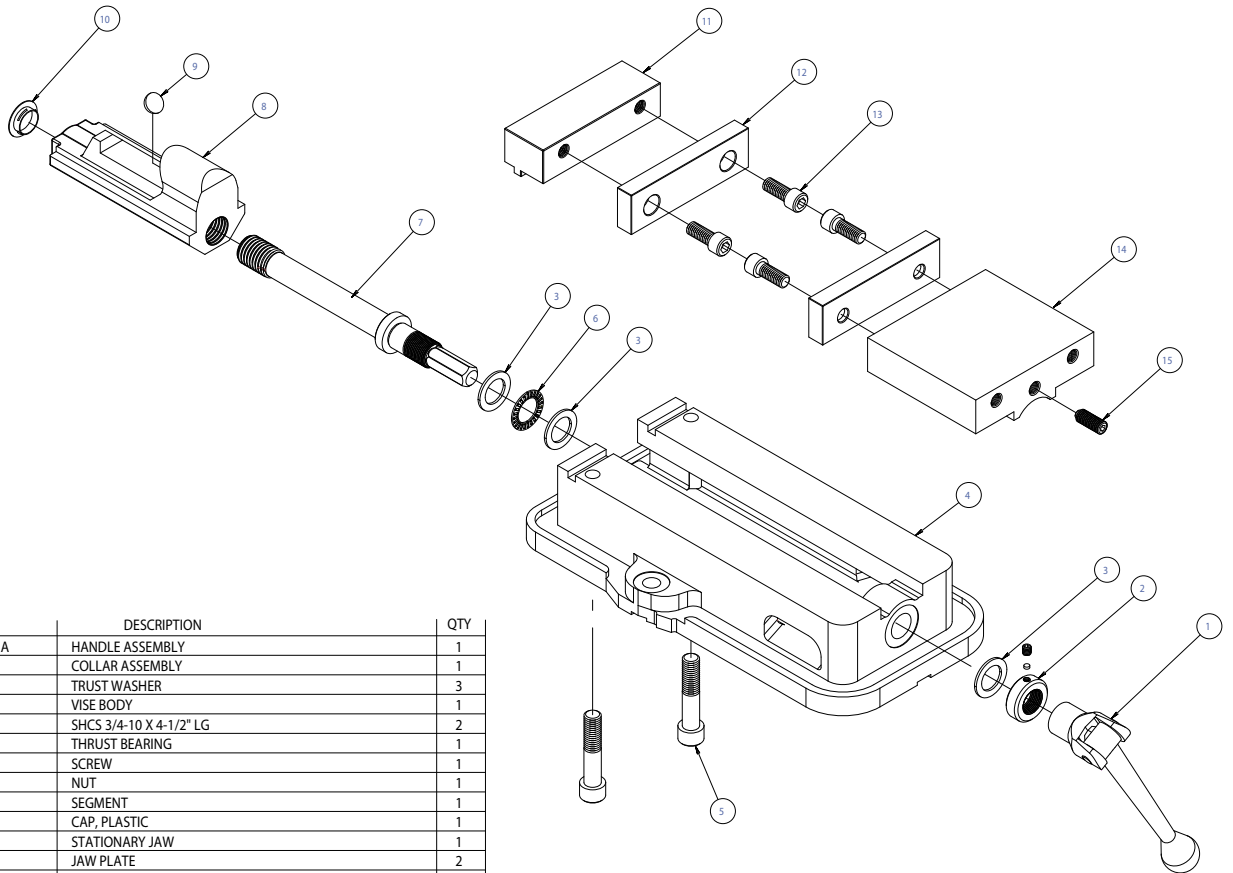


D100 REPLACEMENT PARTS



ITEM	PART NO.	DESCRIPTION	QTY	
1	D100-10A-SA	HANDLE ASSEMBLY	1	
2	D100-8-SA	COLLAR ASSEMBLY	1	
*	3	D100-42	THRUST WASHER	3
4	D100-1	VICE BODY	1	
5	00-1524	SHCS 3/4-10 X 4-1/2" LG	2	
*	6	D100-41	THRUST BEARING	1
7	D100-5	SCREW	1	
8	D100-3	NUT	1	
*	9	D100-9	SEGMENT	1
*	10	D100-12A	CAP, PLASTIC	1
11	D100-6A	STATIONARY JAW	1	
12	D100-7	JAW PLATE	2	
13	00-1514	SHCS 3/4-10 X 1-1/2" LG	4	
14	D100-2	MOVABLE JAW	1	
15	01-3955	SHSS, LONG-LOCK 5/8-11 X 1-3/4" LG	1	

* ITEMS INCLUDED IN REPAIR KIT P/N D100-KIT

Kurt Manufacturing Company
 Industrial Products Division
 1325 Quincy St. N.E.
 Minneapolis, MN 55413
 1-800-328-2565
www.kurtworkholding.com