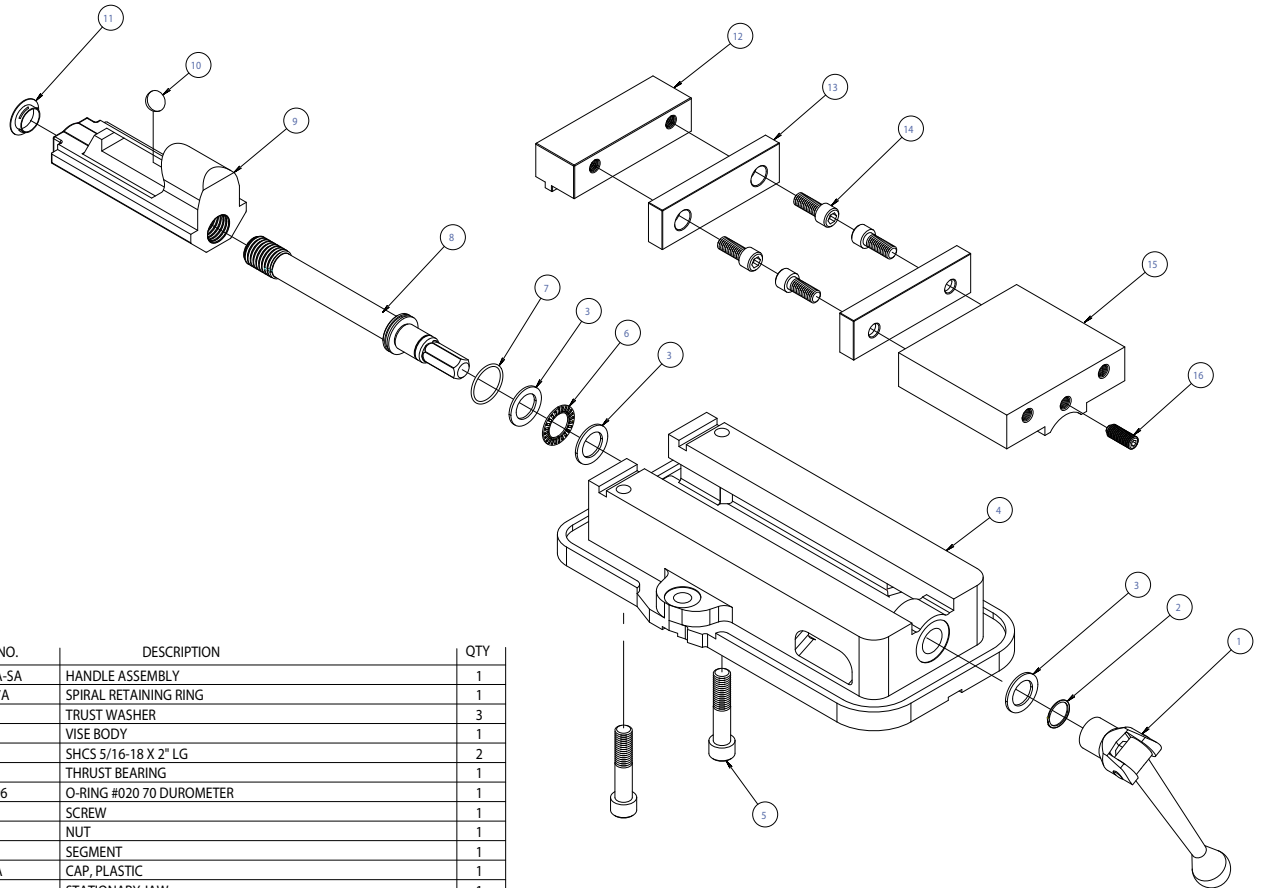


## D30 REPLACEMENT PARTS



ITEM	PART NO.	DESCRIPTION	QTY
1	D30-10A-SA	HANDLE ASSEMBLY	1
*	2	D30-217A	SPIRAL RETAINING RING
*	3	D30-42	THRUST WASHER
	4	D30-1	WISE BODY
	5	00-1330	SHCS 5/16-18 X 2" LG
*	6	D30-41	THRUST BEARING
*	7	DLU6J-96	O-RING #020 70 DUROMETER
	8	D30-5A	SCREW
	9	D30-3	NUT
*	10	D30-9	SEGMENT
*	11	D30-12A	CAP, PLASTIC
	12	D30-6A	STATIONARY JAW
	13	D30-7	JAW PLATE
	14	00-1321	SHCS 5/16-18 X 3/4" LG
	15	D30-2	MOVABLE JAW
	16	01-3908	SHSS, LONG-LOCK 3/8-16 X 7/8" LG

\* ITEMS INCLUDED IN REPAIR KIT P/N D30-KIT

Kurt Manufacturing Company  
 Industrial Products Division  
 1325 Quincy St. N.E.  
 Minneapolis, MN 55413  
 1-800-328-2565  
[www.kurtworkholding.com](http://www.kurtworkholding.com)