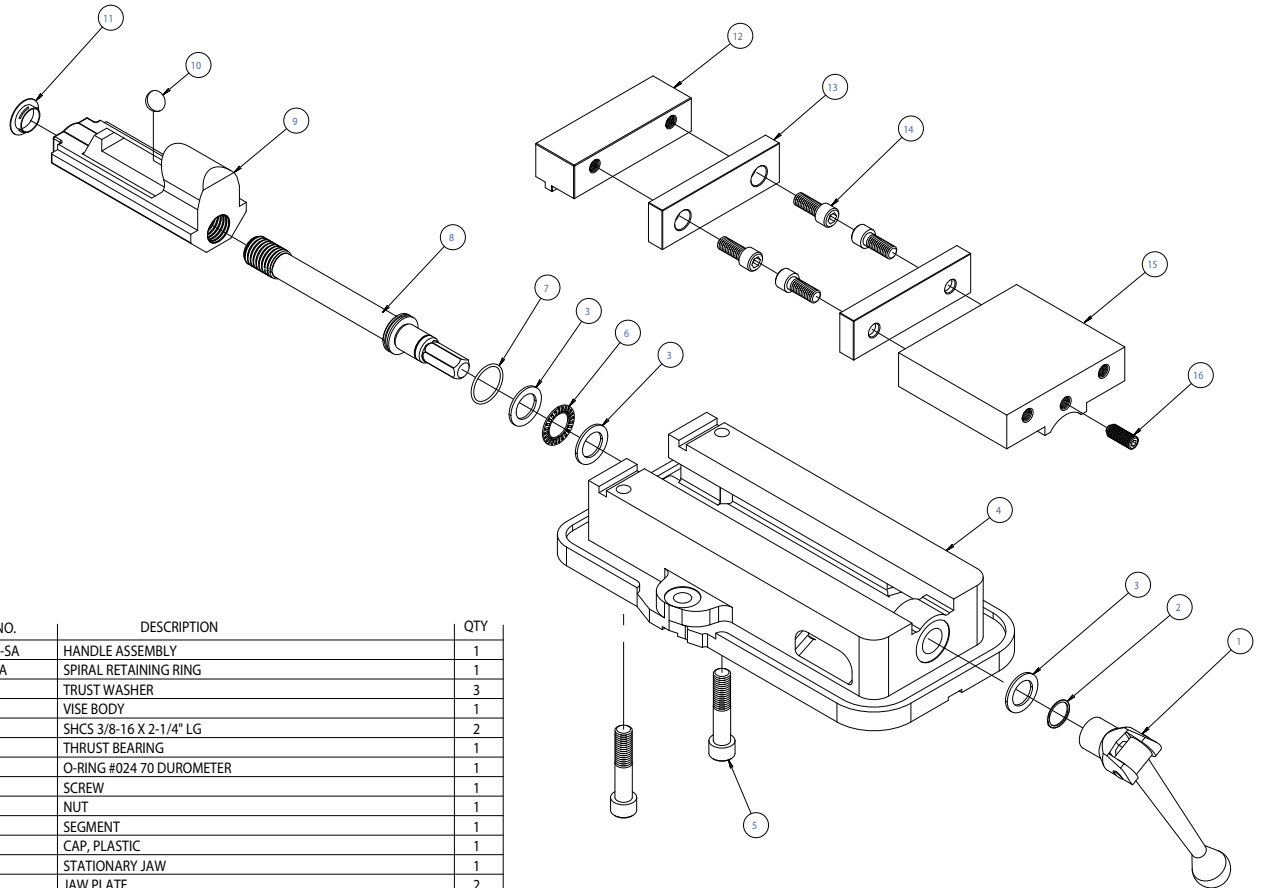


D40 REPLACEMENT PARTS



ITEM	PART NO.	DESCRIPTION	QTY	
1	D40-10A-SA	HANDLE ASSEMBLY	1	
*	2	D40-217A	SPIRAL RETAINING RING	1
*	3	D40-42	THRUST WASHER	3
*	4	D40-1	WISE BODY	1
*	5	00-1362	SHCS 3/8-16 X 2-1/4" LG	2
*	6	D40-41	THRUST BEARING	1
*	7	D40-68	O-RING #024 70 DUROMETER	1
*	8	D40-5A	SCREW	1
*	9	D40-3	NUT	1
*	10	D40-9	SEGMENT	1
*	11	D40-12A	CAP, PLASTIC	1
	12	D40-6A	STATIONARY JAW	1
	13	D40-7	JAW PLATE	2
	14	00-1353	SHCS 3/8-16 X 7/8" LG	4
	15	D40-2	MOVABLE JAW	1
	16	01-3908	SHSS, LONG-LOCK 3/8-16 X 7/8" LG	1

* ITEMS INCLUDED IN REPAIR KIT P/N D40-KIT

Kurt Manufacturing Company
 Industrial Products Division
 1325 Quincy St. N.E.
 Minneapolis, MN 55413
 1-800-328-2565
www.kurtworkholding.com