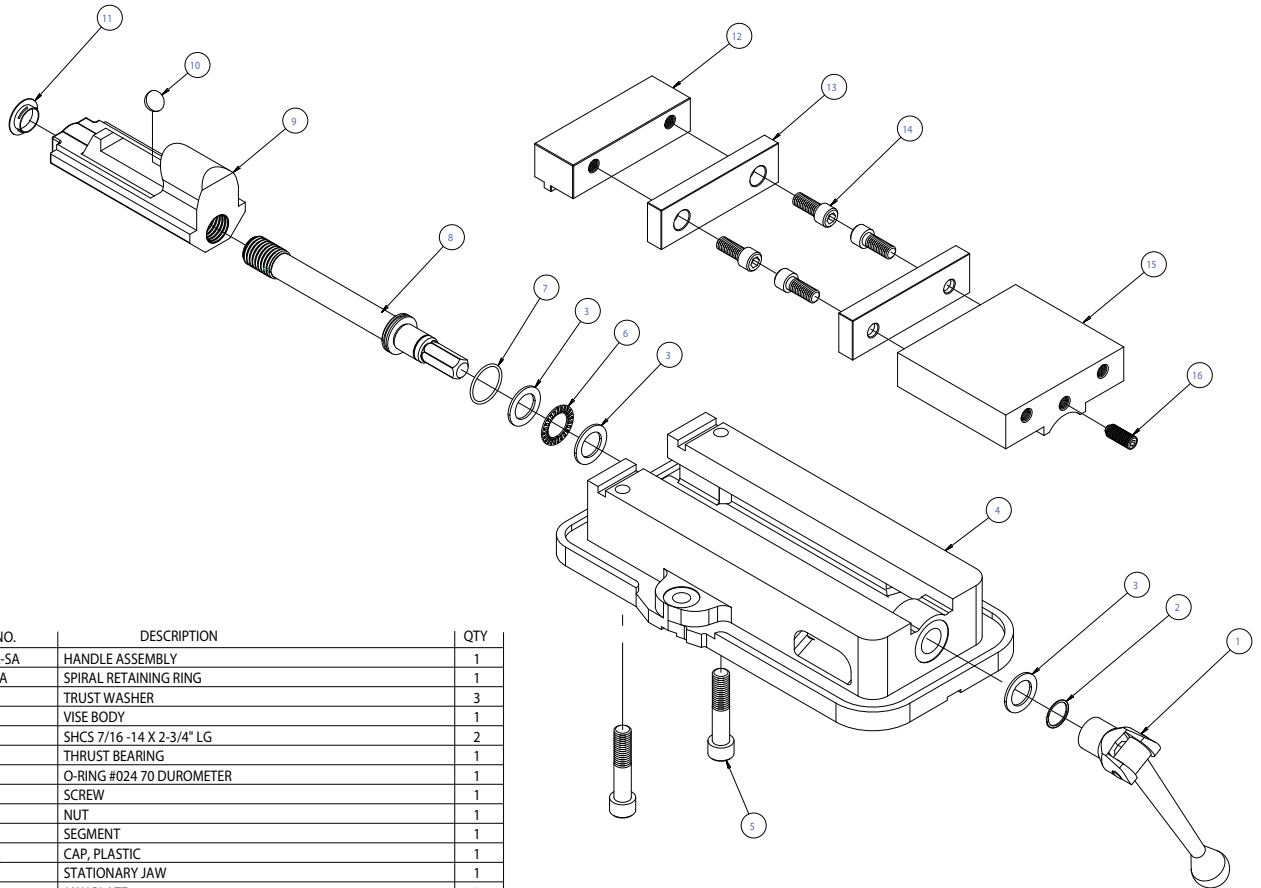


D50 REPLACEMENT PARTS



ITEM	PART NO.	DESCRIPTION	QTY
1	D50-10A-SA	HANDLE ASSEMBLY	1
*	2	D50-217A SPIRAL RETAINING RING	1
*	3	D50-42 TRUST WASHER	3
	4	D50-1 VISE BODY	1
	5	00-1395 SHCS 7/16 -14 X 2-3/4" LG	2
*	6	D50-41 THRUST BEARING	1
*	7	D50-68 O-RING #024 70 DUROMETER	1
	8	D50-5A SCREW	1
	9	D50-3 NUT	1
*	10	D50-9 SEGMENT	1
*	11	D50-12A CAP, PLASTIC	1
	12	D50-6A STATIONARY JAW	1
	13	D50-7 JAW PLATE	2
	14	00-1384 SHCS 7/16 -14 X 7/8" LG	4
	15	D50-2 MOVABLE JAW	1
	16	01-3938 SHSS, LONG-LOCK 1/2-13 X 1-1/4" LG	1

* ITEMS INCLUDED IN REPAIR KIT P/N D50-KIT

Kurt Manufacturing Company
 Industrial Products Division
 1325 Quincy St. N.E.
 Minneapolis, MN 55413
 1-800-328-2565
www.kurtworkholding.com