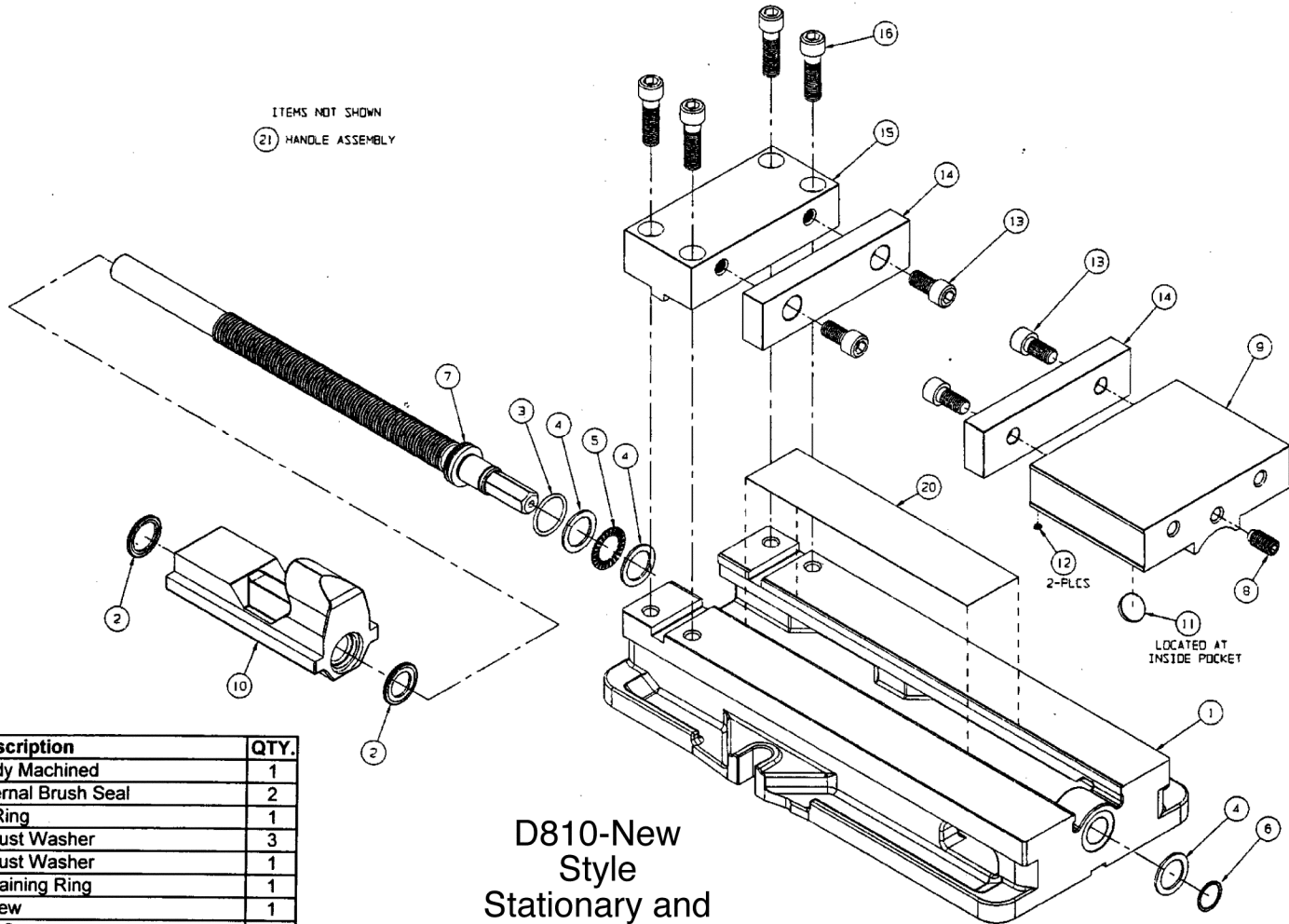


ITEMS NOT SHOWN
 21 HANDLE ASSEMBLY



D810-New Style Stationary and Body

Item	Part No.	Description	QTY.
1	D810-1A	Body Machined	1
2	PT800-211	Internal Brush Seal	2
3	D810-68	O-Ring	1
4	D80-42	Thrust Washer	3
5	D80-41	Thrust Washer	1
6	D810-217	Retaining Ring	1
7	D810-5A	Screw	1
8	01-3953	Set Screw	1
9	D810-2	Movable Jaw	1
10	D810-3A	Nut, Machined	1
11	D80-9	Segment	1
12	225-20	O-Ring	2
13	00-1481	Socket Head Cap Screw	4
14	D80-7	Jaw Plate	2
15	D810-6A	Stationary Jaw	1
16	00-1486	Socket head Cap Screw	4
17	D810-102B	Model/Serial Number Tag	1
18	07-0230	U-Type Drive Screw	2
19	D810-111	Kurt Logo Tag	2
20	D80XL-248	Chip Guard	1
21	D80-10A-SA	Handle Assembly	1