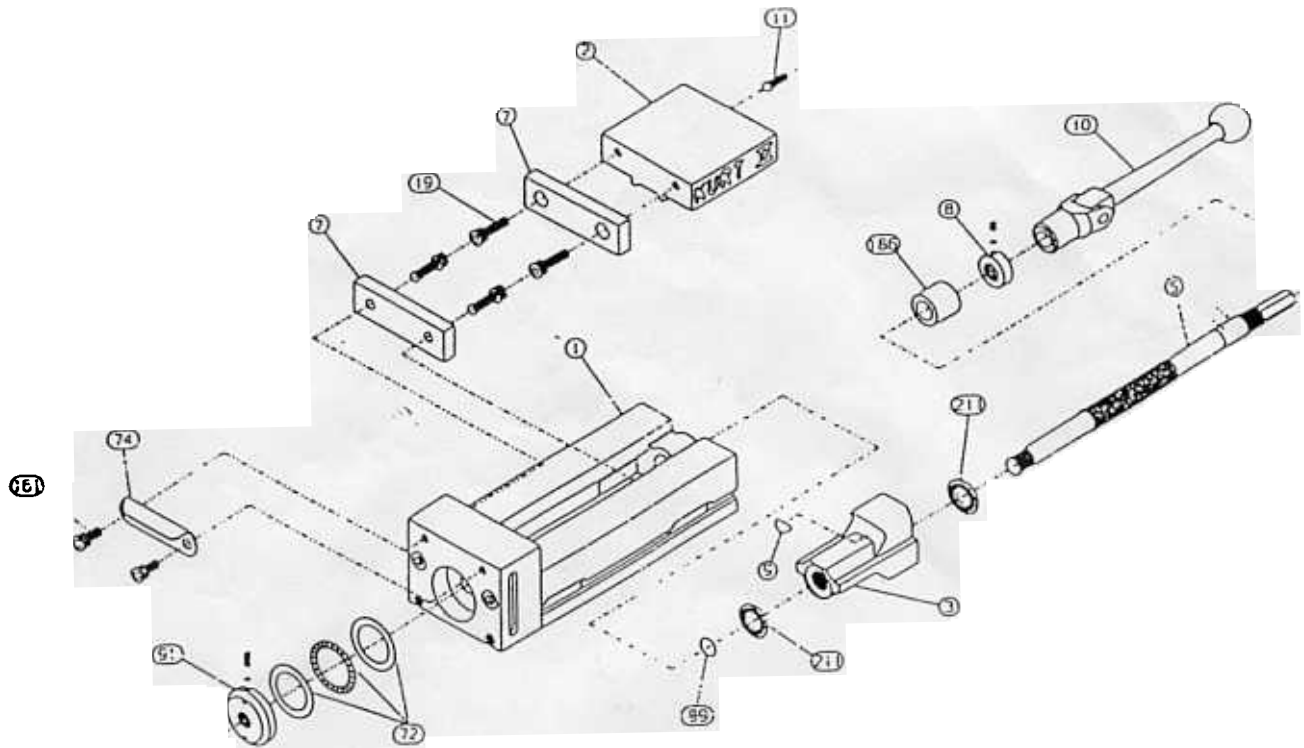


PT600A REPLACEMENT PARTS



ITEM	QTY	DESCRIPTION	PART NUMBER
1	1	BODY & CYL. HSG. ASS'Y.	PT600-1A-SA
2	1	MOVABLE JAW	PT600-2
3	1	NUT	PT600-3A
5	1	SCREW	PT600-5A
7	2	JAW PLATE	D60-7
8	1	FRONT COLLAR ASS'Y	D60-8-SA
9	1	SEGMENT	D60-9
10	1	HANDLE ASS'Y	D60-10-SA
11	1	SCREW. SHSS. 1/2-13 X 1-1/4	01-3335
19	4	SCREW. SHCS. 1/2-13 X 1-1/4	00-1419
41	1	THRUST BEARING	PT600-41
42	2	THRUST WASHER .090 THICK	PT600-42
74	1	LIFTING HANDLE	PT600-74
91	1	REAR COLLAR ASS'Y	PT600-91A-SA
99	1	O-RING. 5/8 X 13/16 X 3/32	PT600-99
161	2	SCREW. SHCS. 1/2-13 X 5/8	00-1412
186	1	SPACER	PT600-186
211	2	INTERNAL BRUSH SEAL	PT600-211

USE PART# PTH600-5?
IF VISE HAS OLD SCREW
COVER.

*Assy 16
PT600-72*