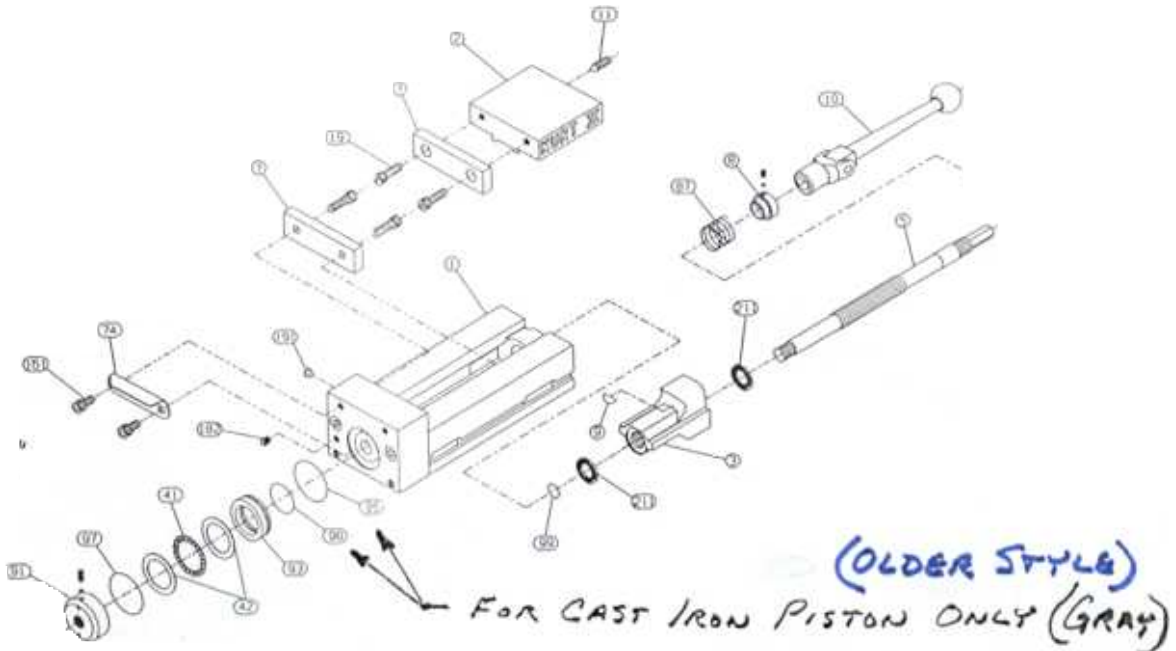


PTH800A™ REPLACEMENT PARTS



ITEM	QTY	DESCRIPTION	PART NUMBER
1	1	BODY & CYL. HSG. ASS'Y	PTH800-1A-SA
2	1	MOVABLE JAW	PT800-2
3	1	NUT	PT800-3A
5	1	SCREW	PTH800-5
7	2	JAW PLATE	D80-7
8	1	FRONT COLLAR ASS'Y	PTH800-8-SA
9	1	SEGMENT	D80-9
10	1	HANDLE ASS'Y	D80-10A-SA
11	1	SCREW, SHSS. 5/8 - 11 X 1 - 1/4	01-3353
19	4	SCREW, SHCS. 5/8 - 11 X 1-1/4	00-1481
41	1	THRUST BEARING	PT800-41
42	2	THRUST WASHER .060 THICK	PT800-42 PTH800-42
74	1	LIFTING HANDLE	PT800-74
87	1	SPRING, COMPRESSION	PTH800-87
91	1	REAR COLLAR ASS'Y	PTH800-91
93	1	PISTON	PTH800-93
96	1	O-RING. 2-5/8 X 3-3/16	PTH800-96
97	1	O-RING. 3-1/8 X 3-3/8 X 1/8	PT800-97
98	1	O-RING. 2 X 2-3/8 X 3/16	PTH800-98
99	1	O-RING. 1.083 I.D. X .118 CS	PT800-99
161	2	SCREW, SHCS. 5/8-11 X 5/8	00-1474
182	1	PLUG, NPT, STEEL - 1/4 NPT	PTH400-182
191	1	PLUG, PLASTIC	181
211	2	INTERNAL BRUSH SEAL	PT800-211