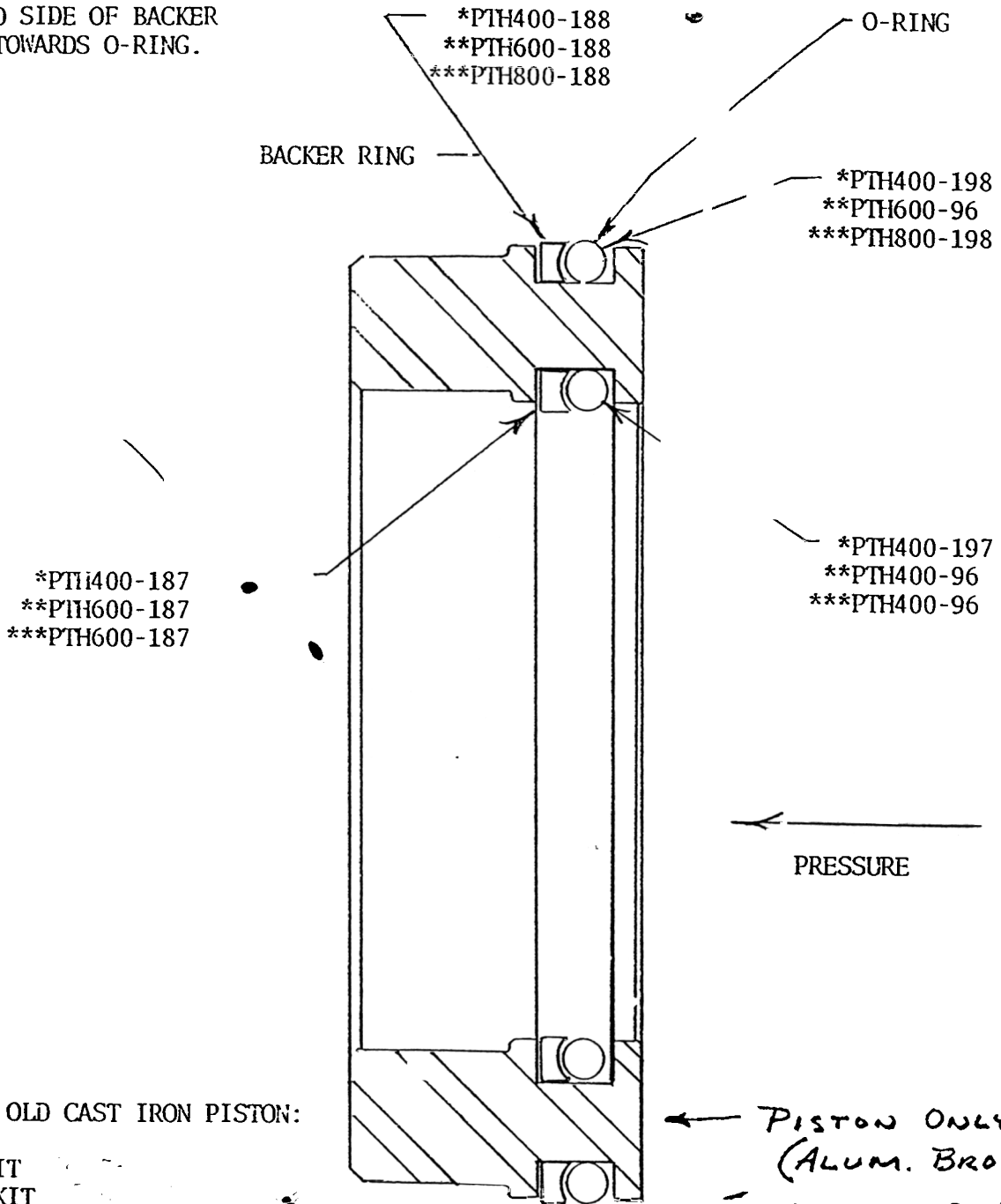


O-RING/BACKER RING INSTALLATION.

PISTON MAT'L. - ALUM. BRONZE (GOLD COLOR)
- NEWER STYLE -

NOTE:
 CUPPED SIDE OF BACKER RING TOWARDS O-RING.



TO REPLACE OLD CAST IRON PISTON:

- *PTI400A-KIT
- **PTI600A-KIT
- ***PTI800A-KIT

INCLUDES - O-RINGS, BACKERS AND PISTON (ALUM. BRONZE)

TO REPLACE O-RING IN OLD CAST IRON PISTON USE:
 (NO BACKER RINGS)

PTH 00-96 O.D.
 PTH 00-98 I.D.

{ FILL IN BLANK WITH THE SIZE OF YOUR VIS
 4", 6", OR 8" WIDE

LEGEND

- * = PTH400
- ** = PTH600