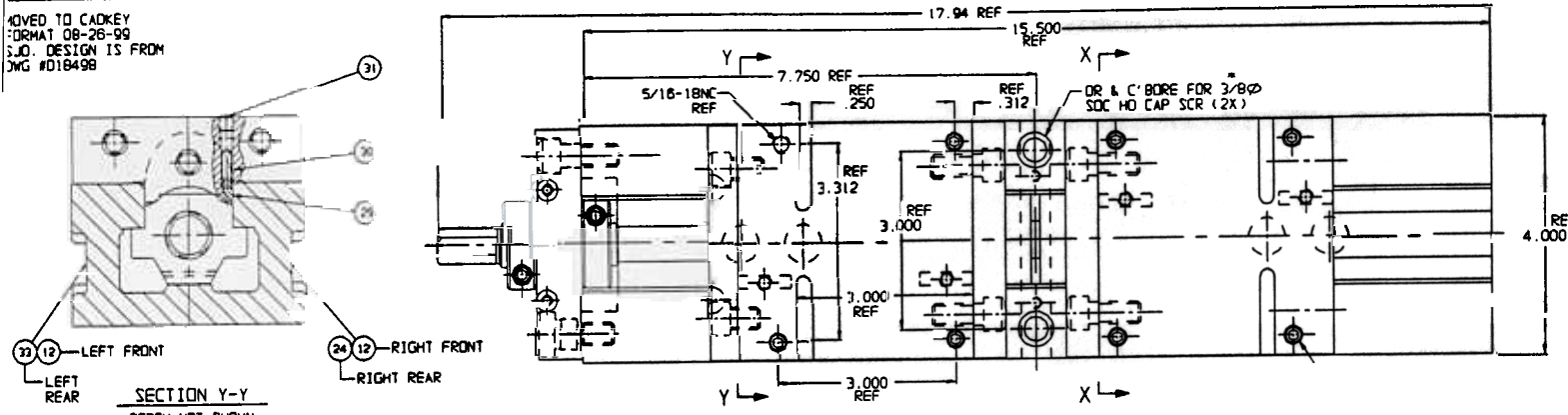
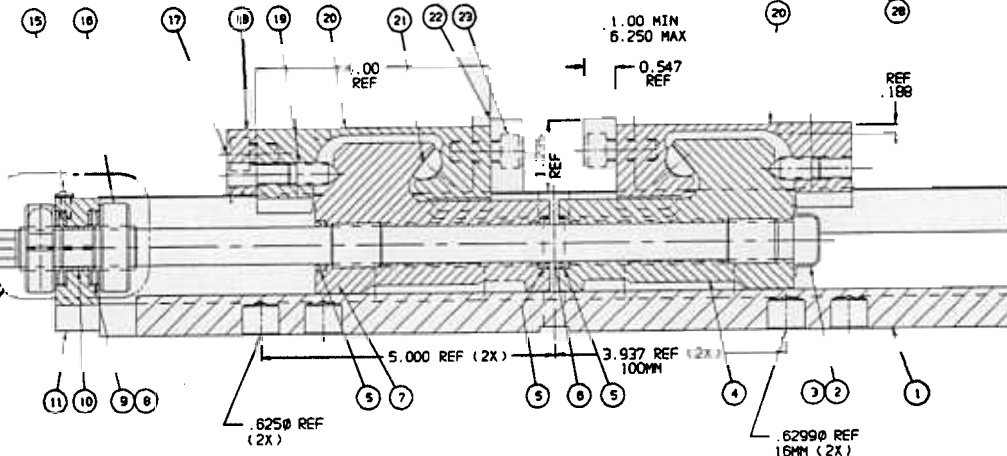
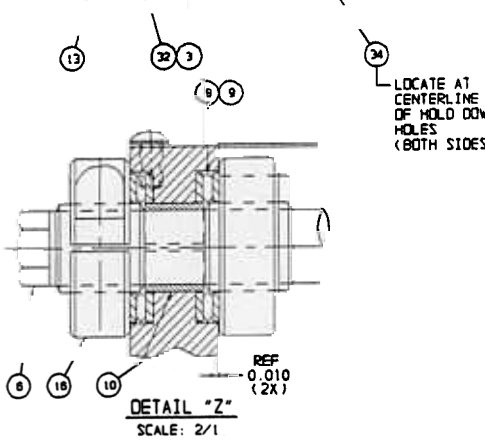
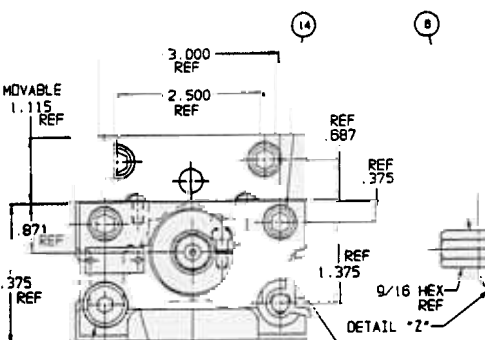


MOVED TO CADKEY
 FORMAT 08-26-99
 S.J.D. DESIGN IS FROM
 DWG #D18498

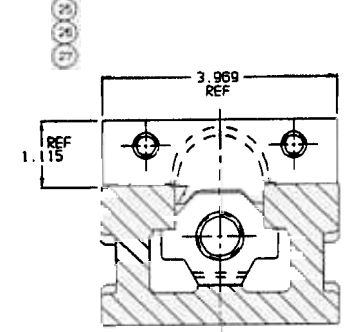
REV	NO	DESCRIPTION	DATE	BY
A	0233A	RELEASED	08-27-99	S.J.D.
B	0288	SEE ECD	08-26-99	S.J.D.



SECTION Y-Y
 SCREW NOT SHOWN
 ROTATED 90° C' CLKWISE



DETAILS
 NOT SHOWN



SECTION X-X
 ROTATED 90° C' CLKWISE

- NOTES:
1. CLAMPING RANGE: 1.00 MIN TO 6.25 MAX
 2. FOR FIXTURE KEYS SEE DWG B18092 & DWG C18497.
 3. SEE SHT 2 FOR DXF DRAWING.
 4. SEE SHT 3 FOR CATALOG DRAWING.

THESE ITEMS CHANGE FOR METRIC USE

ITEM	PART NO.	DWG. NO.	DESCRIPTION	QTY.	UNIT
34	SCD430-111	A18776	CLAMP LOCATION STICKER	2	P
33	DL430-3130	B19494	VISE BODY STICKER LEFT REAR	1	P
32	DL430-102	A19934	MODEL/IDENTAL NUMBER TAG	1	P
31	01-8073	NO DWG	SCOTTED SET SCR 1/4-20X 1 1/4 LG	4	P/M
30	SCD430-128	A18858	TOX SET SCR 5/16-18NC X 5/8 LG	4	P/M
29	SCD430-129	NO DWG	TOX SET SCR 5/16-18NC X 5/8 LG	4	P/M
28	01-1088	NO DWG	TOX SET SCR 5/16-18NC X 5/8 LG	4	P/M
27	DL430-249	NO DWG	REF 188	1	P
26	DL430-248	NO DWG	REF 188	1	P
25	DL430-247	NO DWG	REF 188	1	P
24	DL430-246	NO DWG	REF 188	1	P
23	DL430-245	NO DWG	REF 188	1	P
22	DL430-244	NO DWG	REF 188	1	P
21	DL430-243	NO DWG	REF 188	1	P
20	DL430-242	NO DWG	REF 188	1	P
19	DL430-241	NO DWG	REF 188	1	P
18	DL430-240	NO DWG	REF 188	1	P
17	DL430-239	NO DWG	REF 188	1	P
16	DL430-238	NO DWG	REF 188	1	P
15	DL430-237	NO DWG	REF 188	1	P
14	DL430-236	NO DWG	REF 188	1	P
13	DL430-235	NO DWG	REF 188	1	P

ITEM	PART NO.	DWG. NO.	DESCRIPTION	QTY.	UNIT
12	SCD430-1148	B19933	VISE BODY STICKER RIGHT FRONT	2	P
11	SCD430-213	C18504	MOULDING BLOCK	1	M
10	SCD430-60	A18503	REF 188	1	P/M
9	DL430-41	NO DWG	REF 188	2	P
8	DL430-42A	NO DWG	REF 188	4	P
7	SCD430-32	C18932	FRONT NUT	1	M
6	SCD430-31	C18931	FRONT NUT	1	M
5	DL430-148	NO DWG	REF 188	3	P
4	SCD430-30	C18931	REAR NUT	1	M
3	07-0230	NO DWG	U-TYP DRIVE SCREW #2 X 1/4 LG	4	P
2	DL430-218	B18087	END CAP	1	P
1	SCD430-1	D19930	MACHINED BODY	1	M

ITEM | PART NO. | DWG. NO. | DESCRIPTION | QTY.

CADKEY INVENTOR: SCD430

SELF CENTERING
430 VISE

019929

ASSEMBLY

*	12	SCD430-314F	B19933	WISE BODY STICKER RIGHT FRONT	2	P
*	11	SCD400-212	C18504	HOLDING BLOCK	1	M
	10	SCD400-60	A18503	BOSTON BEAR-N-BRONZE SOLID BRONZE BEARING #M1012-9 625 I.D. X .750 O.D. X 1 1/8 LG (MAKES 2 ASSEMBLIES)	1	P/M
	9	D40-41	NO DWG	THRUST BEARING TORRINGTON #NTA-1220	2	P
	8	DL400-42A	NO DWG	THRUST WASHER TORRINGTON #TRD-1220	4	P
	7	SCD430-3F	C19932	FRONT NUT	1	M
	6	SCD400-5	C18501	SCREW	1	M
	5	DL400-146	NO DWG	U-CUP SEAL 5/8 I.D. X 7/8 O.D. X 1/8 CROSS SECTION	3	P
	4	SCD430-3R	C19931	REAR NUT	1	M
	3	07-0230	NO DWG	U-TYP DRIVE SCREW #2 X 1/4 LG	4	P
	2	DL400-218	B10987	END CAP	1	P
*	1	SCD430-1	D19930	MACHINED BODY	1	M
	ITEM	PART NO.	DWG. NO.	DESCRIPTION	QTY.	PUR / MFG

C:\CADKEY\WISE\SCD\SCD430

	PATENT NUMBER —		TOOL NAME —		MODEL OF TOOL —	
	TOLERANCES UNLESS NOTED INCHES: DECIMAL X .05 XX .02 XXX .005 XXXX .0005 ANGLES ± 1°		TITLE SELF CENTERING 430 VISE		DWG SIZE D	KURT DWG. NO. D19929
	DESIGNED BERNSTEIN		DESCRIPTION OR MATERIAL ASSEMBLY		REVISION LEVEL: 8	
	DETAILED DIRSCHL 08-27-99				CUSTOMER SCD430	
CHECKED				CUST. PART NO. SCD430		
APPROVED				TOOL NO. —	SCALE FULL SHEET 1 OF 3	

2

SCD430 SHEET
2 OF 3

	34	SCD600-111	A18776	CLAMP LOCATION STICKER	2	P
	33	DL430-313R	B19494	WISE BODY STICKER LEFT REAR	1	P
*	32	SCD430-102	A19934	MODEL/SERIAL NUMBER TAG	1	P
	31	01-6073	NO DWG	SLOTTED SET SCR 1/4-20NC X 1/4 LG	4	P
*	30	SCD400-196	A18859	SOC SET SCR #10-32NC X 5/8 LG	4	P/M
	29	SCD400-13	B18858	GIB	4	M
*	28	01-1088	NO DWG	SOC SET SCR 5/16-18NC X 5/16 LG	8	P
	27	DL400-249	NO DWG	CHIP GUARD (LONG) .015 X 1.625 X 12.00	1	P
	26	DL400-248	NO DWG	CHIP GUARD (SHORT) .015 X 1.625 X 5.00	1	P
	25	D40-10A-SA	C10231	HANDLE ASSEMBLY	1	P
	24	DL430-314R	B19492	WISE BODY STICKER RIGHT REAR	1	P
*	23	00-1353	NO DWG	SHCS 3/8-16NC X 7/8 LG	4	P
*	22	D40-7	B3248	JAW PLATE	2	M
	21	D40-9	B10671	SEGMENT	2	M
*	20	SCD400-2S	D18507	MOVABLE JAW (SPECIAL)	2	M
	19	01-3308	NO DWG	SOC HD SET SCR-CONE POINT- LONG LOCK (NYLON STRIP ONLY) 3/8-16NC X 7/8 LG	2	P
	18	SCD400-227	B18946	RETAINING PLATE	1	M
	17	00-1348	NO DWG	SHCS 3/8-16NC X 1/2 LG	2	P
	16	SCD400-8	A18506	RULAND ONE-PIECE CLAMP TYPE THREADED SHAFT COLLAR #TCL12LH-12F-SPEC (3/4-12UN LEFT HAND THR'D) D-????	2	P
*	15	03-0124	NO DWG	BHCS #10-24NC X 3/8 LG	2	P
*	14	00-1355	NO DWG	SHCS 3/8-16NC X 1" LG	2	P
*	13	03-2035		SOC HD SHLD SCR 1/2Ø X 3/8 LG	2	P
	ITEM	PART NO	DWG. NO	DESCRIPTION	QTY.	PUR / MFR

3

SCD 430 3 OF 3