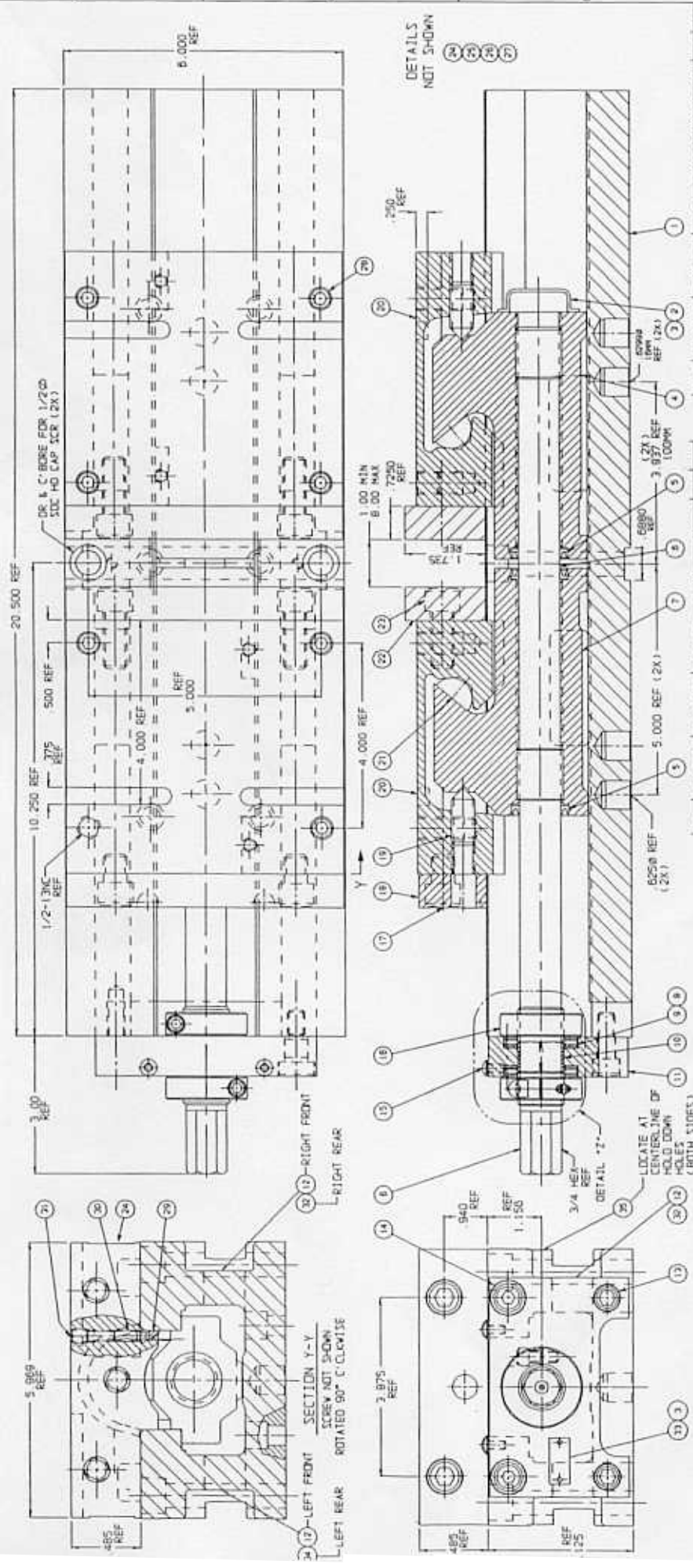


REV.	REV.	DATE	BY
1	0000		
2	0000		
3	0000		
4	0000		
5	0000		



NOTES:

1. CLAMPING RANGE: 1.00 MIN TO 6.00 MAX
2. FOR FEATURE KEYS SEE DWG B18092 AND DWG C18497
3. FOR ACCESSORY JAWS SEE:
 - V-JAW (SMALL), P/N SC0600-237-SM, DWG #C18558
 - V-JAW (MEDIUM), P/N SC0600-237-MED, DWG #C18557
 - V-JAW (LARGE), P/N SC0600-237-LRG, DWG #B18553
4. SEE SHT 2 FOR DWF DRAWING.
5. SEE SHT 3 FOR CATALOG DRAWINGS.

THESE ITEMS CHANGE FOR METRIC VISE

ITEM	PART NO.	DWG. NO.	DESCRIPTION	QTY.	M/F
26	SC0600-111	A18776	CLAMP LOCATION SLICER	2	P

ITEM	PART NO.	DWG. NO.	DESCRIPTION	QTY.	M/F
1	01845-313	B1840	VISE BODY SLICER, LEFT REAR	1	P
2	SC0600-10	A1840	VISE BODY SLICER, MIDDLE TAP	1	P
3	SC0600-314	B1840	VISE BODY SLICER, RIGHT REAR	1	P
4	01840-218	B1840	VISE BODY SLICER, RIGHT REAR	1	P
5	SC0600-136	B1877	SLC SET, 1/2" DIA, 3.14 LG	4	P/M
6	011133	NO DWG	SLC SET, 1/2" DIA, 3.14 LG	4	M
7	011133	NO DWG	SLC SET, 1/2" DIA, 3.14 LG	4	M
8	011133	NO DWG	SLC SET, 1/2" DIA, 3.14 LG	4	M
9	011133	NO DWG	SLC SET, 1/2" DIA, 3.14 LG	4	M
10	011133	NO DWG	SLC SET, 1/2" DIA, 3.14 LG	4	M
11	011133	NO DWG	SLC SET, 1/2" DIA, 3.14 LG	4	M
12	011133	NO DWG	SLC SET, 1/2" DIA, 3.14 LG	4	M
13	011133	NO DWG	SLC SET, 1/2" DIA, 3.14 LG	4	M
14	011133	NO DWG	SLC SET, 1/2" DIA, 3.14 LG	4	M
15	011133	NO DWG	SLC SET, 1/2" DIA, 3.14 LG	4	M
16	011133	NO DWG	SLC SET, 1/2" DIA, 3.14 LG	4	M
17	011133	NO DWG	SLC SET, 1/2" DIA, 3.14 LG	4	M
18	011133	NO DWG	SLC SET, 1/2" DIA, 3.14 LG	4	M
19	011133	NO DWG	SLC SET, 1/2" DIA, 3.14 LG	4	M
20	011133	NO DWG	SLC SET, 1/2" DIA, 3.14 LG	4	M
21	011133	NO DWG	SLC SET, 1/2" DIA, 3.14 LG	4	M
22	011133	NO DWG	SLC SET, 1/2" DIA, 3.14 LG	4	M
23	011133	NO DWG	SLC SET, 1/2" DIA, 3.14 LG	4	M
24	011133	NO DWG	SLC SET, 1/2" DIA, 3.14 LG	4	M
25	011133	NO DWG	SLC SET, 1/2" DIA, 3.14 LG	4	M

ITEM	PART NO.	DWG. NO.	DESCRIPTION	QTY.	M/F
12	SC0600-314	B1877	VISE BODY SLICER, RIGHT FRONT	2	P
13	01840-218	B1840	VISE BODY SLICER, RIGHT FRONT	1	P
14	01840-218	B1840	VISE BODY SLICER, RIGHT FRONT	1	P
15	01840-218	B1840	VISE BODY SLICER, RIGHT FRONT	1	P
16	01840-218	B1840	VISE BODY SLICER, RIGHT FRONT	1	P
17	01840-218	B1840	VISE BODY SLICER, RIGHT FRONT	1	P
18	01840-218	B1840	VISE BODY SLICER, RIGHT FRONT	1	P
19	01840-218	B1840	VISE BODY SLICER, RIGHT FRONT	1	P
20	01840-218	B1840	VISE BODY SLICER, RIGHT FRONT	1	P
21	01840-218	B1840	VISE BODY SLICER, RIGHT FRONT	1	P
22	01840-218	B1840	VISE BODY SLICER, RIGHT FRONT	1	P
23	01840-218	B1840	VISE BODY SLICER, RIGHT FRONT	1	P
24	01840-218	B1840	VISE BODY SLICER, RIGHT FRONT	1	P
25	01840-218	B1840	VISE BODY SLICER, RIGHT FRONT	1	P

SELF-CENTERING 640 VISE

DATE: 01.19.95


BY: B. STERN

APP.:

SCALE: 2:1

* 12	SCD640-314F	B19939	WISE BODY STICKER RIGHT FRONT	2	P
* 11	SCD600-212	C18490	HOLDING BLOCK	1	M
10	SCD600-60	A18489	BOSTON BEAR-N-BRONZE SOLID BRONZE BEARING #M1416-11 Ø75 I.D. X 1.000 O.D. X 1 3/8 LG (MAKES 2 ASSEMBLIES)	1	P/M
9	D60-41	NO DWG	THRUST BEARING TORRINGTON #NTA-1625	2	P
8	D60-42	NO DWG	THRUST WASHER TORRINGTON #TRC-1625	4	P
7	SCD640-3F	C19938	FRONT NUT	1	M
6	SCD600-5	D18487	SCREW	1	M
5	SCD600-146	NO DWG	U-CLIP SEAL 7/8 I.D. X 1 1/4 O.D. X 3/16 CROSS SECTION	3	P
4	SCD640-3R	C19937	REAR NUT	1	M
3	07-0230	NO DWG	U-TYP DRIVE SCREW #2 X 1/4 LG	4	P
2	DL600-218	B10951	END CAP	1	P
1	SCD640-1	D19936	MACHINED BODY	1	M
ITEM	PART NO.	DWG. NO.	DESCRIPTION	QTY.	PUR / MFGR

C:\CADKEY\WISE\SCD\SCD640

	PATENT NUMBER —	TOOL NAME SELF CENTERING 640 VISE	MODEL OF TOOL —	
	TOLERANCES (UNLESS NOTED INCHES) DECIMAL X ± .05 XX ± .02 XXX ± .005 XXXX ± .0005 ANGLES 1°	TITLE SELF CENTERING 640 VISE		DWG SIZE 0
DESIGNED	BERNSTEIN		REVISION LEVEL B	
DETAILED	DIRSCHEL	09-14-99	CUSTOMER SCD640	
CHECKED			CUST. PART NO. SCD640	
APPROVED			TOOL NO. —	SCALE FULL
		DESCRIPTION OR MATERIAL ASSEMBLY		SHEET 1 OF 3

2

SCD 640 SHEET 2 OF 3

	34	DL640-313R	B19401	WISE BODY STICKER LEFT REAR		P
*	33	SCD640-102	A19940	MODEL/SERIAL NUMBER TAG	1	
	32	DL640-314R	B19403	WISE BODY STICKER RIGHT REAR		P
	31	01-6089	NO DWG	SLOTTED SET SCR 5/16-18NC X 3/8 LG	4	P
	30	SCD600-196	A18603	SOC SET SCR 1/4-20NC X 3/4 LG	4	P/M
	29	SCD600-13	B18602	GIB	4	M
*	28	01-1133	NO DWG	SOC SET SCR 1/2-13NC X 1/2 LG	8	P
	27	DL600-249	NO DWG	CHIP GUARD (LONG) 015 X 2.25 X 12.00	1	
	26	DL600-248	NO DWG	CHIP GUARD (SHORT) 015 X 2.250 X 5.00	1	
	25	D60-10A-SA	C10231	HANDLE ASSEMBLY	1	
	24	SCD600-223	A19139	KURT LOGO TAG	4	
*	23	00-1419	NO DWG	SHCS 1/2-13NC X 1 1/4 LG	4	
	22	D60-7	B1339	JAW PLATE	2	
*	21	D60-9	B10671	SEGMENT	2	M
*	20	SCD600-2S	D18493	MOVABLE JAW (SPECIAL)	2	M
*	19	01-3335	NO DWG	SOC SET SCR-CONE POINT- LONG LOCK (NYLON STRIP ONLY) 1/2-13NC X 1 1/4 LG	2	P
*	18	SCD600-227	B18945	RETAINING PLATE	1	M
*	17	00-1412	NO DWG	SHCS 1/2-13NC X 5/8 LG	2	P
*	16	SCD600-8	A18492	RULAND ONE-PIECE CLAMP TYPE THREADED SHAFT COLLAR #TCL18LN-12F-SPEC (1-12UNF LEFT HAND THF'D) D-6197	2	P
*	15	03-0124	NO DWG	BHCS #10-24NC X 3/8 LG	2	P
*	14	03-2036	NO DWG	SOC HD SHLD SCR 1/2Ø X 1/2 LG	2	P
*	13	00-1355	NO DWG	SHCS 3/8-16NC X 1" LG	2	P
	ITEM	PART NO.	DWG. NO.	DESCRIPTION	QTY.	PLR / MFR

SCD 640 SHEET 3 OF 3