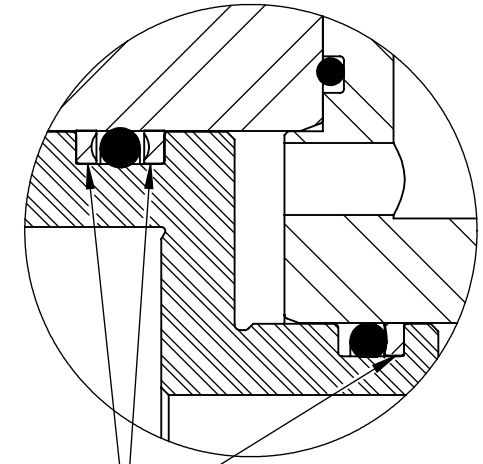
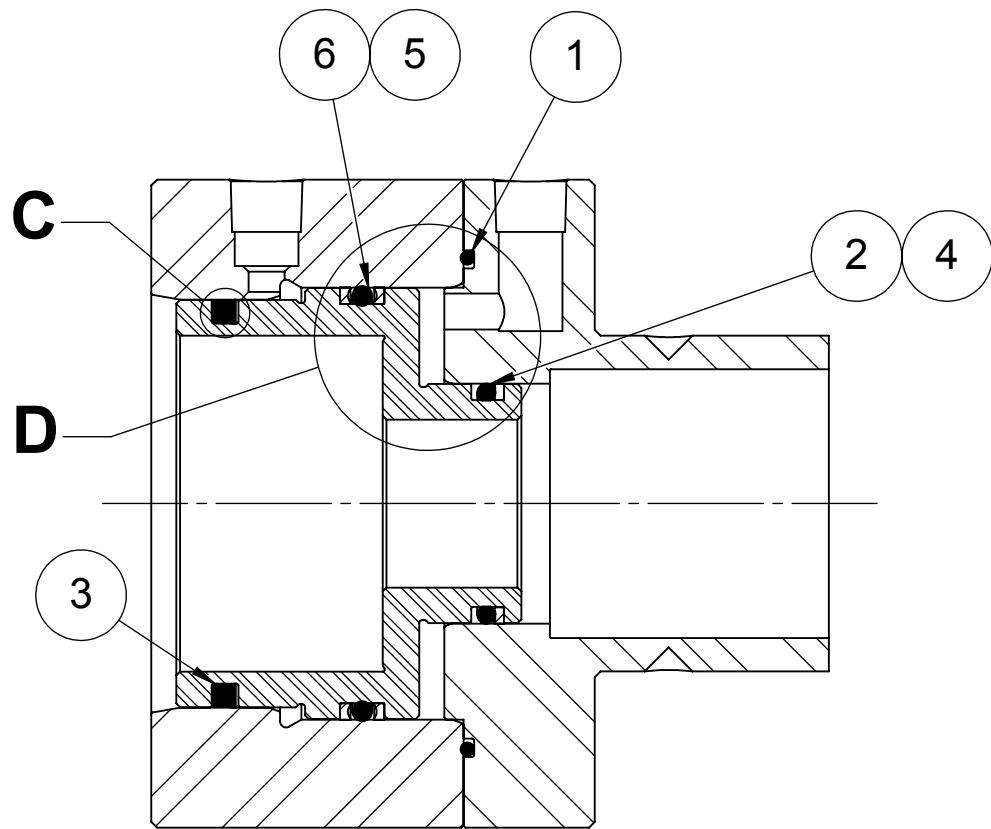
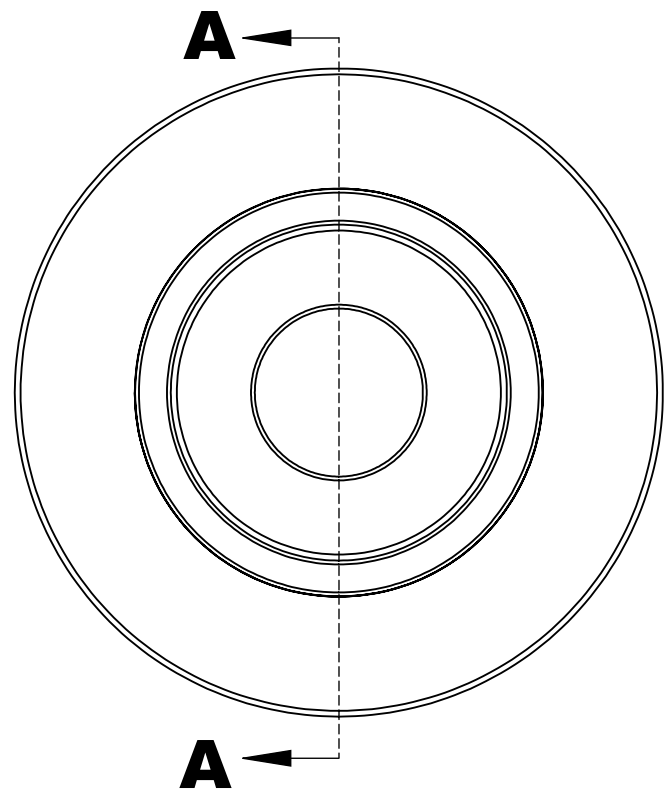


INSTALL INSTRUCTIONS:  
WIPER SEAL MUST BE  
ORIENTED AS SHOWN,  
WIPER/O-RING FACING  
TOWARDS PRESSURE.



NOTE BACKUP RING  
PLACEMENT

DETAIL D  
SCALE 2 : 1



SECTION A-A

NOTES:

1. STROKE: .25"
2. HYDRAULIC DISPLACEMENT: .69 CU. IN.
3. OPERATING PRESSURE: 3200PSI
4. PRESSURE/RETURN PORTS: 1/8" NPT
5. TORQUE 1/4-20 X .75 LG BOLTS TO 200 IN-LBS.

7	00-1290	6	SHCS 1/4-20 X .75 LG.
6	PTH400-198	1	POLYURETHANE O-RING, 2.0625 I.D. X 2.25 O.D.
5	PTH400-188	2	BACKUP RING, 2.0625 I.D. X 2.25 O.D.
4	360HU-187	1	BACKUP RING 1.253 O.D. X 1.081 I.D.
3	KHU6-119	1	SEAL, PISTON
2	360HU-98	1	POLYURETHANE O-RING 1 1/16 I.D. X 1 1/4 O.D.
1	KHU6-96	1	O-RING 2.5 ID X 2.625 OD
<b>ITEM NO.</b>	<b>PART NUMBER</b>	<b>QTY</b>	<b>DESCRIPTION</b>