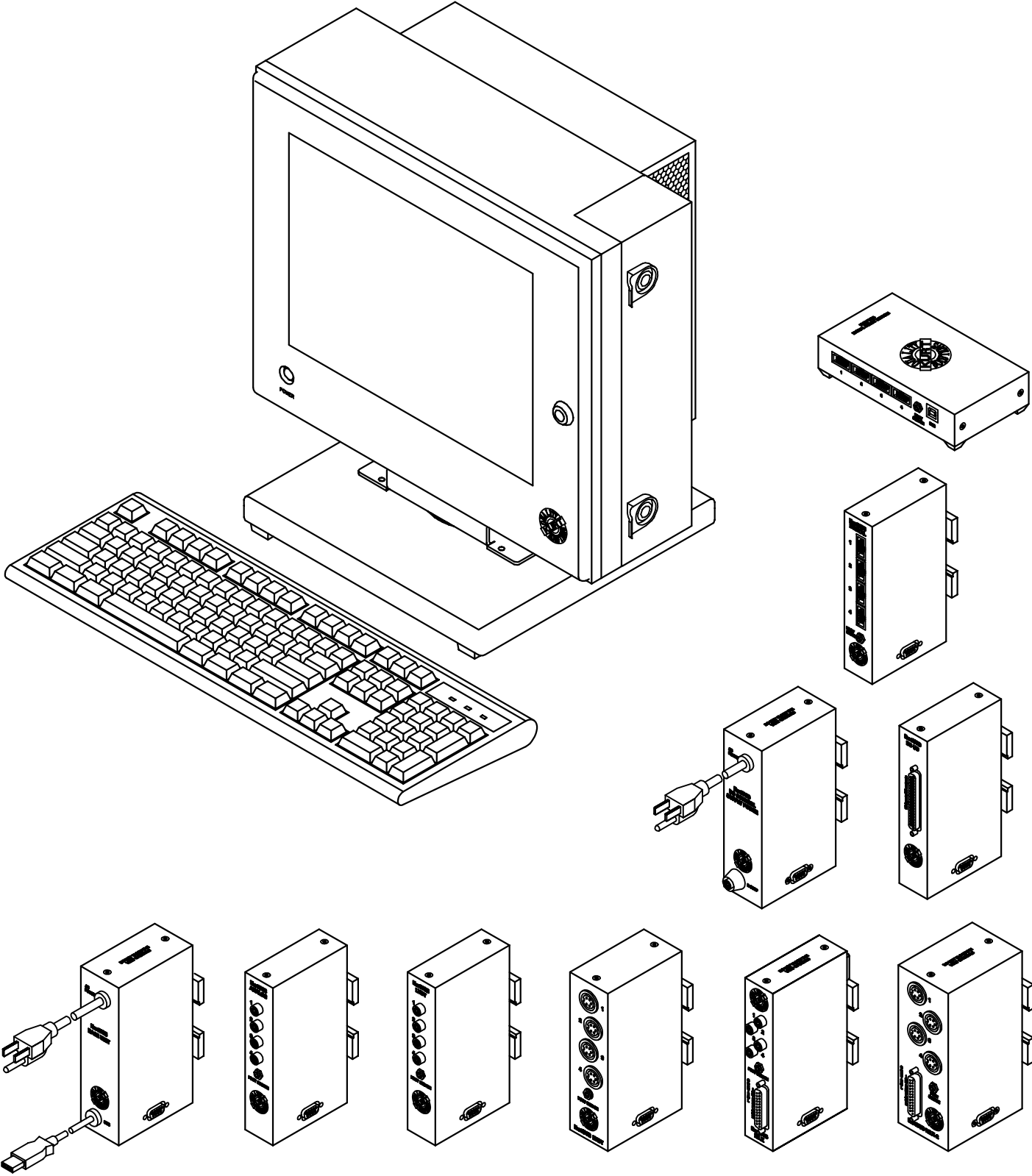


Kurt ICS Industrial Computer and USB Modules

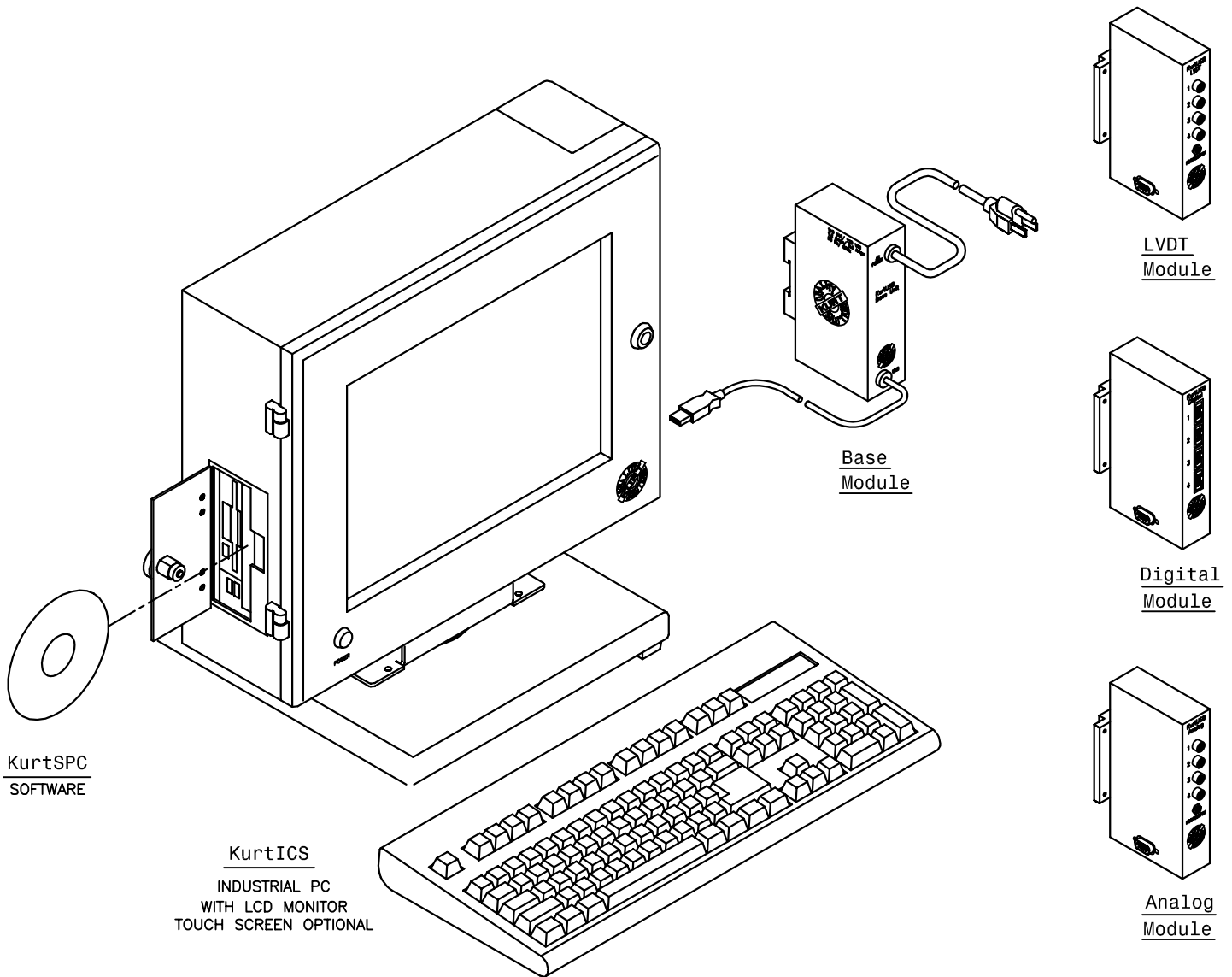


Contents

	Page
Cover Sheet _____	1
Contents _____	2
Kurt Hardware and Software Solution Package _____	3
Kurt Hardware and Software Solution Package _____	4
KurtICS Computer Standard Features _____	5
KurtICS Computer System Mounting Options _____	6
The Kurt Family of Products _____	7
KurtICS Computer Cooling Options & Kurt USB System Solution _____	8
Kurt USB System Options _____	9
USB Module Stacking _____	10



Kurt Hardware and Software Solution Package



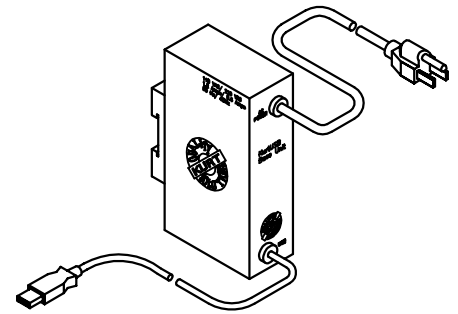
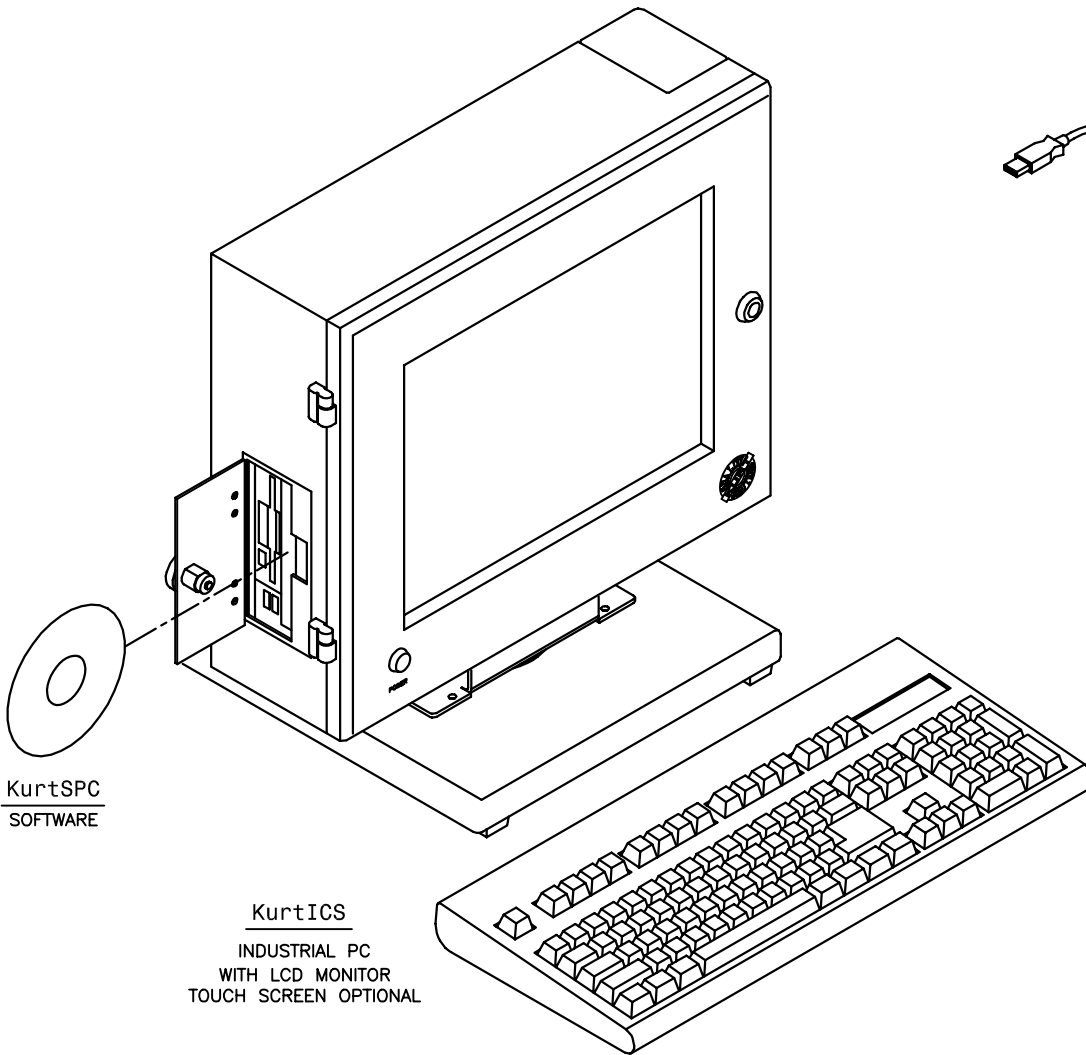
Complete System for SPC/Gage Interface Package Price \$6,999.00

INCLUDES:

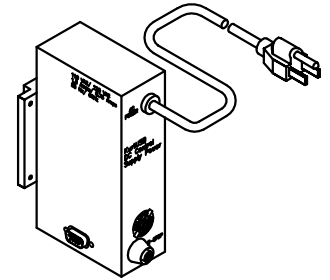
- (1) KurtICS INDUSTRIAL COMPUTER
- (1) KurtUSB BASE MODULE
- (1) KurtUSB GAGE INTERFACE MODULE
(Specify One LVDT, DIGITAL or ANALOG MODULE)
- (1) KurtSPC PREMIUM SOFTWARE LICENSE



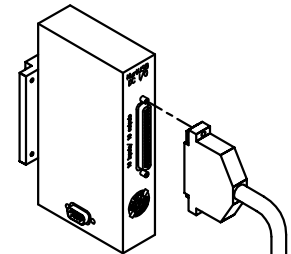
Kurt Hardware and Software Solution Package



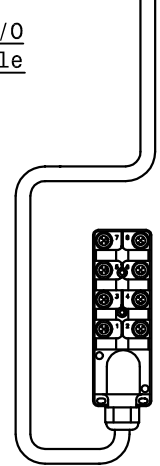
Base
Module



DC Control
Supply Power
Module



DC I/O
Module



I/O
DISTRIBUTION
UNIT

Complete System for I/O and Machine Control Package Price \$7,616.00

INCLUDES:

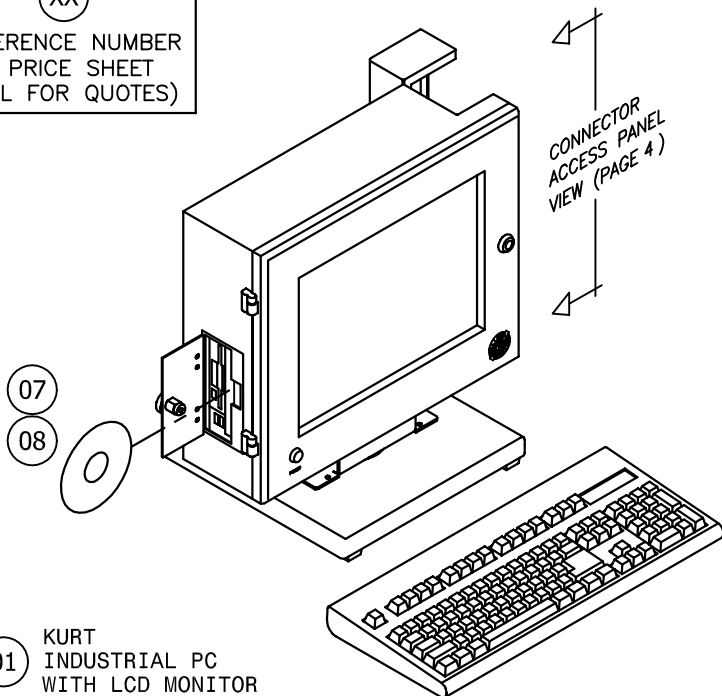
- (1) KurtICS INDUSTRIAL COMPUTER
- (1) KurtUSB BASE MODULE
- (1) KurtUSB DC POWER CONTROL MODULE
- (1) KurtUSB DC I/O MODULE (16 Input/16 Output)
- (1) KurtSPC I/O DISTRIBUTION UNIT
- (1) KurtSPC PREMIUM SOFTWARE LICENSE



KurtICS Computer Standard Features

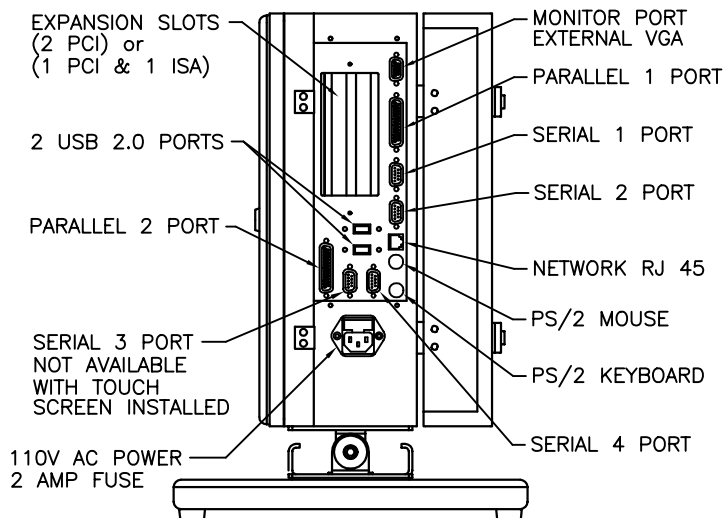
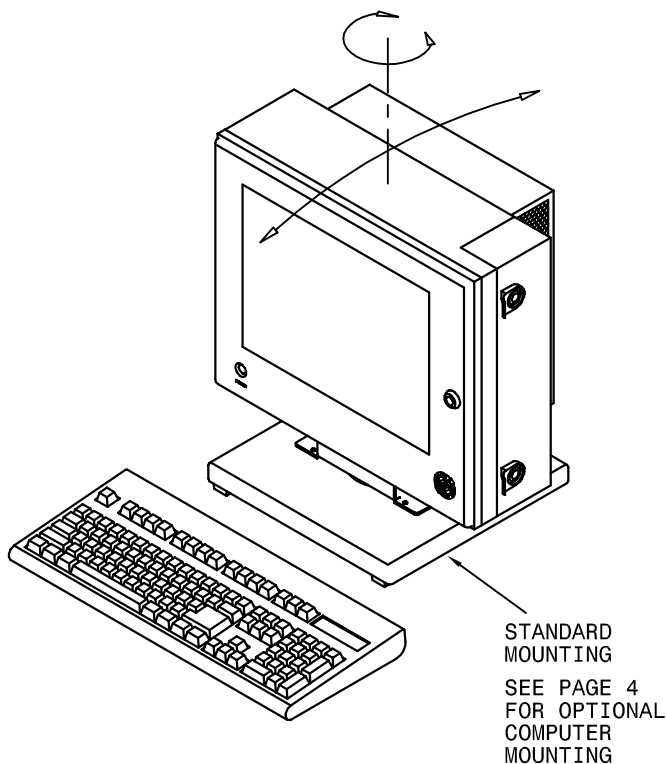
XX

REFERENCE NUMBER
FOR PRICE SHEET
(CALL FOR QUOTES)



- 1.2 GHz INTEL PENTIUM PROCESSOR
- 512 MB RAM (1 GHz Max.)
- 60 GB HARD DRIVE
- CD R/W ROM DRIVE
- 3.5" FLOPPY DRIVE (1.44 MB)
- 200 Watt POWER SUPPLY
- ONBOARD (1) ETHERNET PORT
- ONBOARD (2) PARALLEL PORTS
- ONBOARD (4) SERIAL PORTS
- ONBOARD (2) USB 2.0 PORTS
- ENCLOSURE (14"H x 16-3/4"W x 5-1/2"D)
- SWIVEL BASE (3-3/16" TALL)
- DISPLAY - (15.1" TFF LCD)

NOTE: CONSULT FACTORY FOR LATEST SPECIFICATIONS.
STANDARD FEATURES WILL CHANGE WITHOUT NOTICE.



CONNECTOR
ACCESS PANEL VIEW
ALL PORTS PROTECTED WITH GASKETED COVER



KurtICS Computer System Mounting Options

XX

REFERENCE NUMBER
FOR PRICE SHEET
(CALL FOR QUOTES)

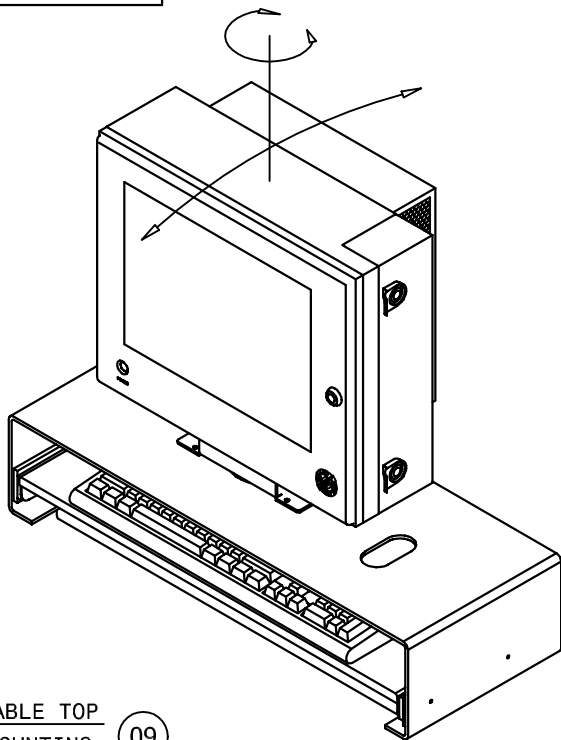
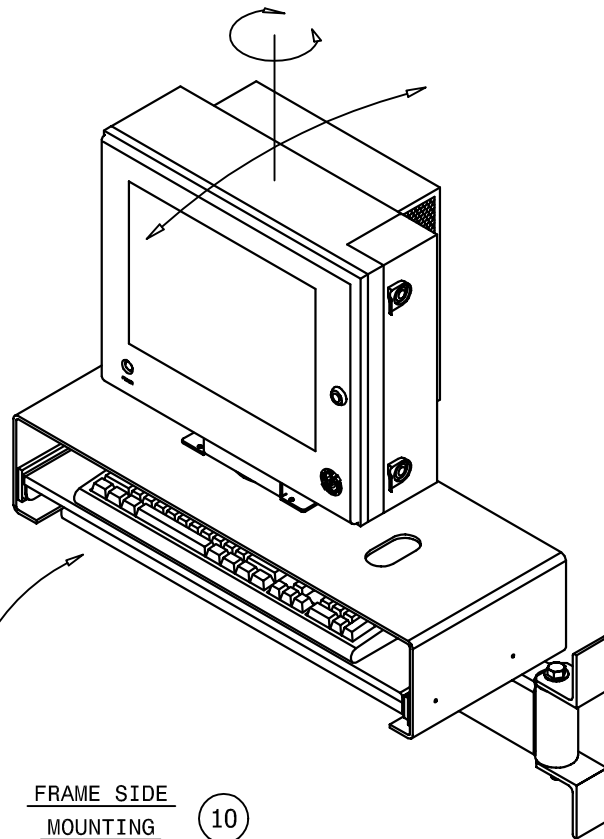
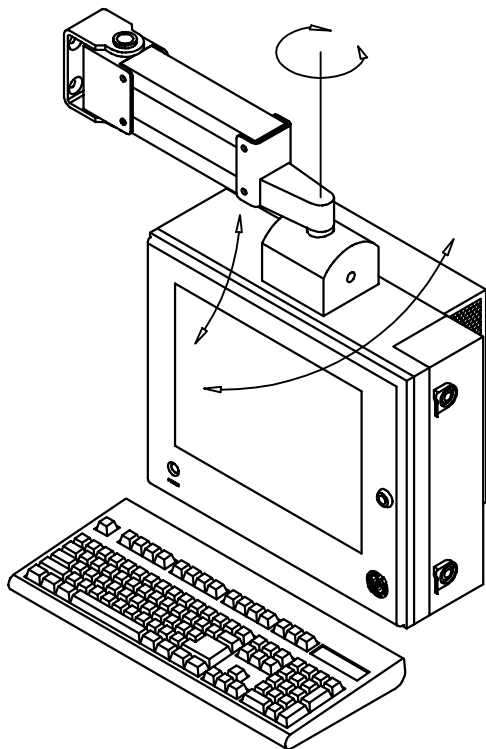


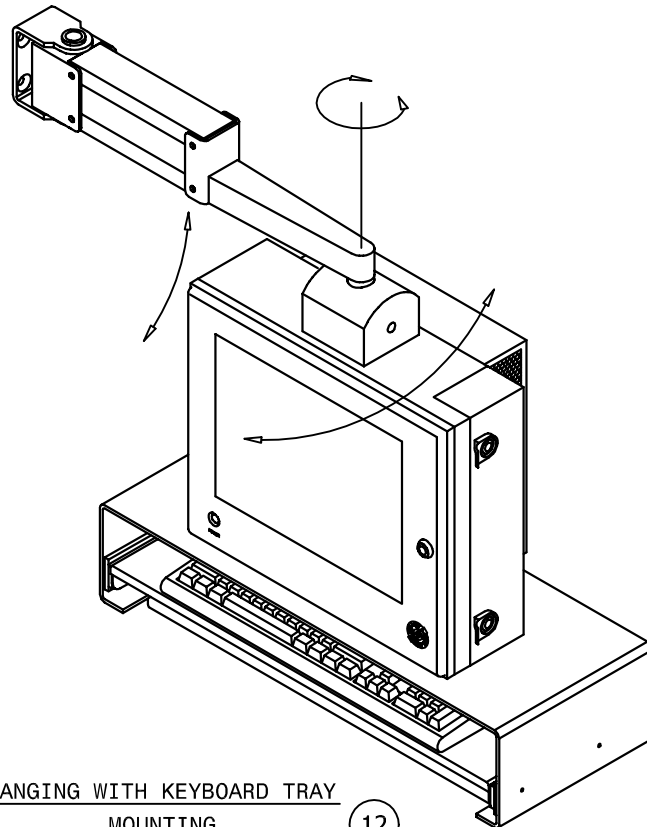
TABLE TOP
MOUNTING (09)



FRAME SIDE
MOUNTING (10)



HANGING W/O KEYBOARD TRAY
MOUNTING (11)



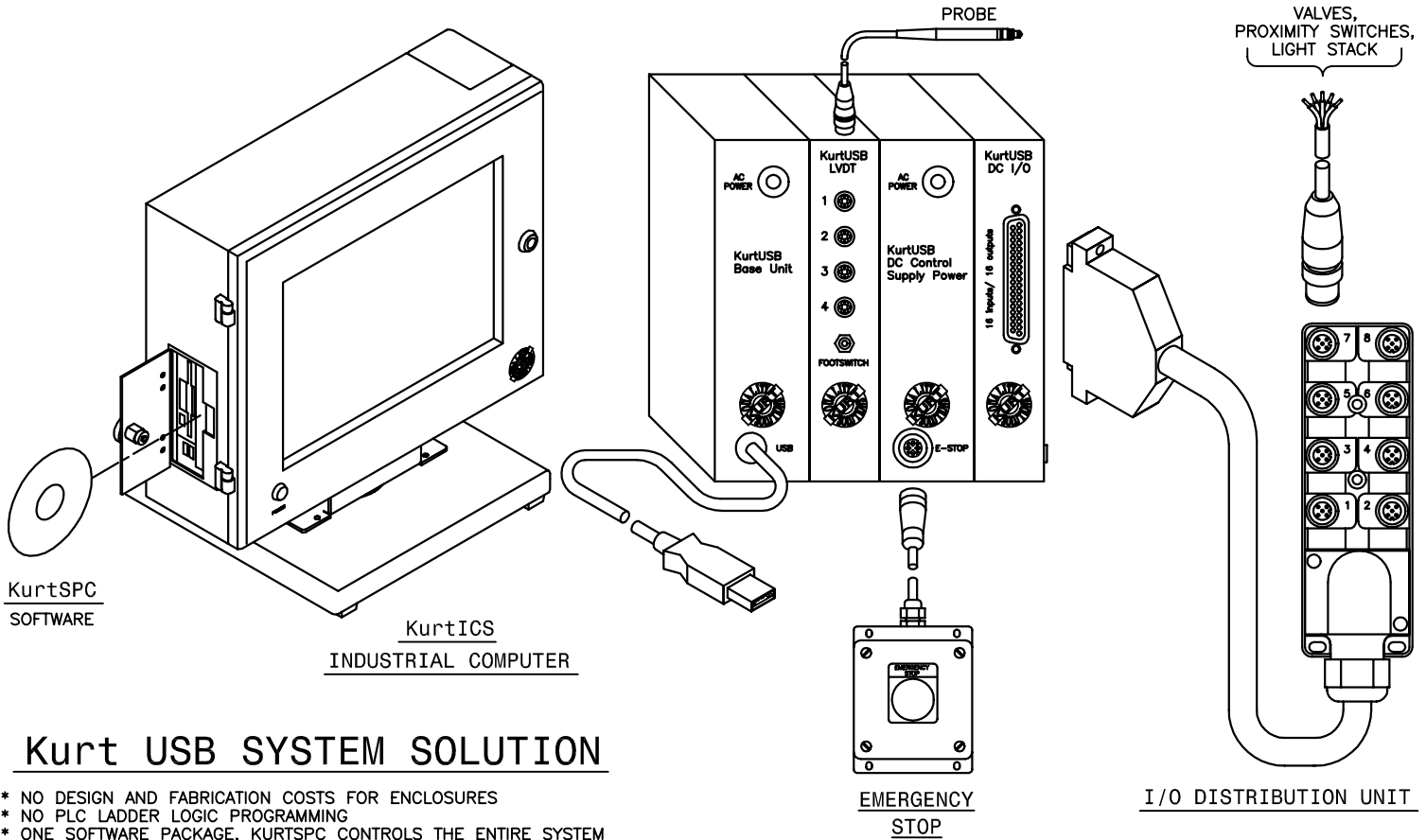
HANGING WITH KEYBOARD TRAY
MOUNTING (12)



The Kurt family of products can provide a single source solution

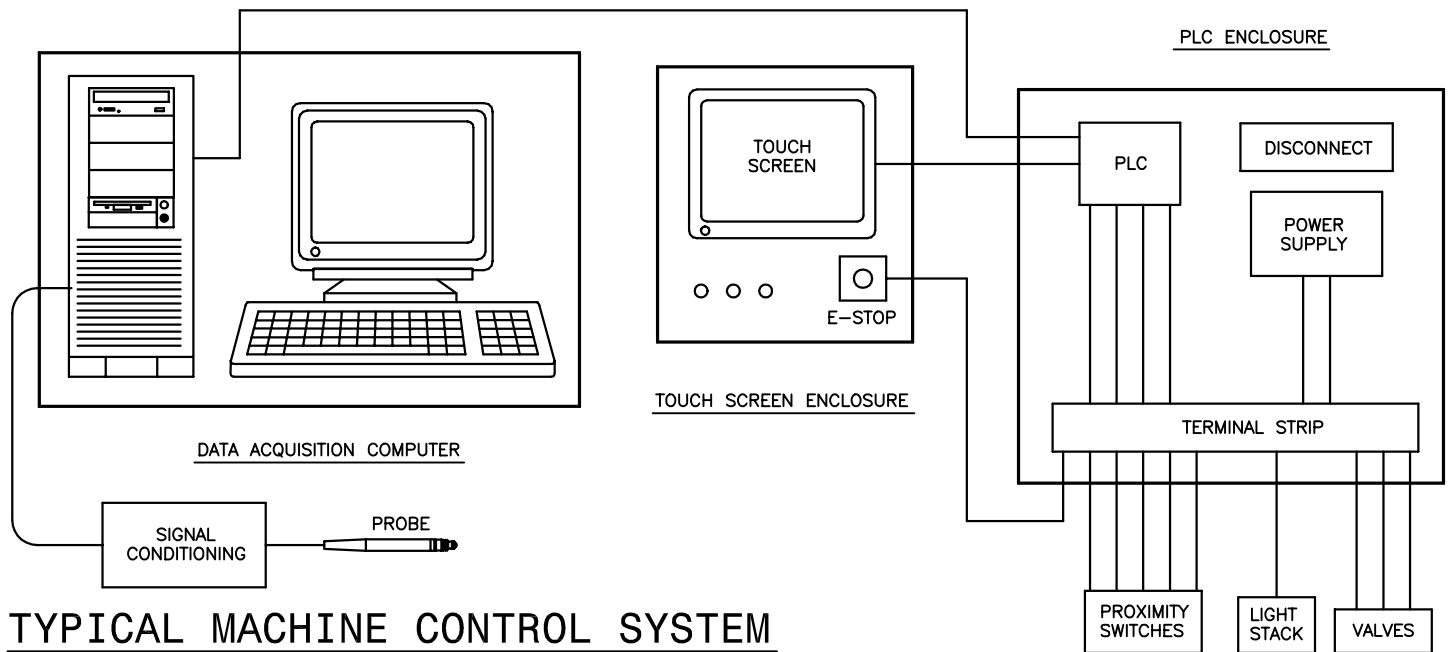
LOOKING FOR A COST EFFECTIVE DATA COLLECTION AND PROCESS CONTROL SOLUTION?

COMPARED TO THE TYPICAL CONTROL SOLUTIONS, THE COST SAVINGS CAN BE THOUSANDS WITH NOTHING NEAR THE COMPLEXITY.



Kurt USB SYSTEM SOLUTION

- * NO DESIGN AND FABRICATION COSTS FOR ENCLOSURES
- * NO PLC LADDER LOGIC PROGRAMMING
- * ONE SOFTWARE PACKAGE, KURTSPC CONTROLS THE ENTIRE SYSTEM
- * COMPLETELY INTEGRATED AND COMPATIBLE PRODUCT LINE, YOUR ONE STOP SHOP
- * EXTREMELY FLEXIBLE EXPANSION OPTIONS
- * REAL-TIME SPC DATA COLLECTION, CHARTING AND DATA MANAGEMENT



TYPICAL MACHINE CONTROL SYSTEM

- * EXPENSIVE LAYOUT AND DESIGN
- * MULTIPLE ENCLOSURES AND DISPLAYS
- * MULTIPLE VENDORS SUPPLYING PRODUCTS WHICH NEED TO BE INTEGRATED
- * PLC AND COMPUTER PROGRAMMING

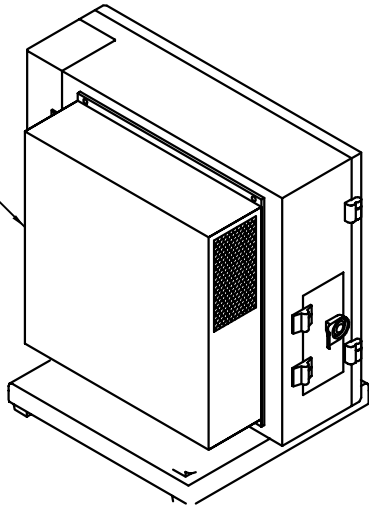


KurtICS Computer Cooling Options

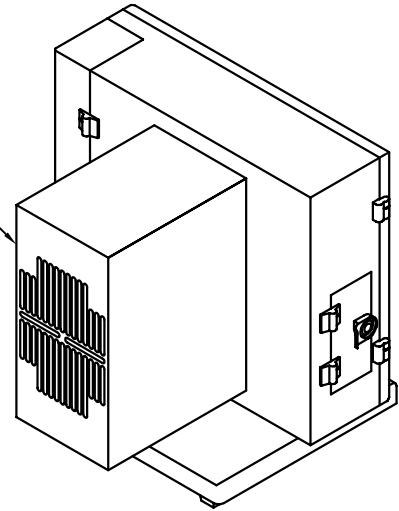
XX

REFERENCE NUMBER
FOR PRICE SHEET
(CALL FOR QUOTES)

05 OPTIONAL
HEAT
EXCHANGER

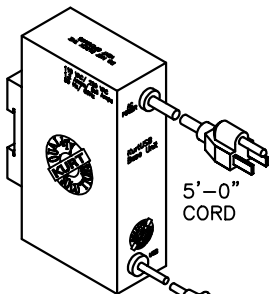


04 OPTIONAL
SOLID
STATE
AIR
CONDITIONER



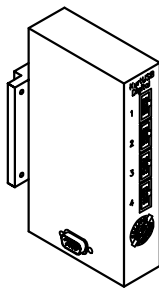
Kurt USB System Solution

LOOKING FOR A COST EFFECTIVE DATA COLLECTION AND PROCESS CONTROL SOLUTION?
COMPARED TO THE TYPICAL CONTROL SOLUTIONS, THE COST SAVINGS CAN BE THOUSANDS WITH NOTHING NEAR THE COMPLEXITY.

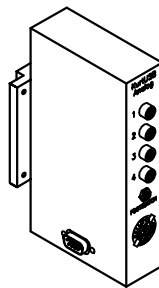


13 Base
Module

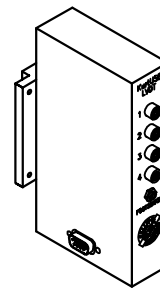
5'-0"
CORD
6'-0"
CORD



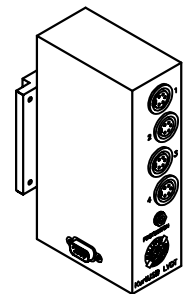
14 Digital
Module



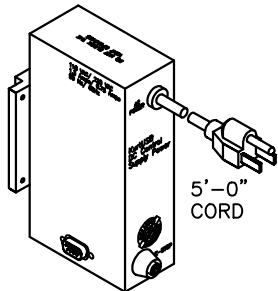
15 Analog
Module
4 Port-6 Pin



16 LVDT
Module
4 Port-6 Pin

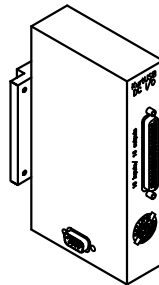


17 LVDT
Module
4 Port-5 Pin

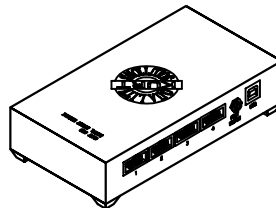


18 DC Control
Supply Power
Module (24 VOLT)

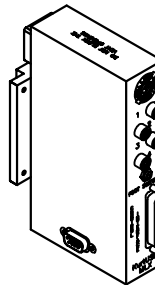
5'-0"
CORD



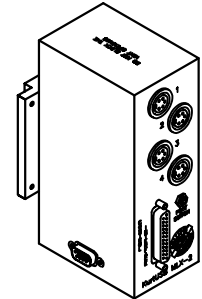
19 DC I/O
Module
(24 VOLT)



20 DIGITAL DIRECT
MODULE



21 LVDT I/O
MODULE



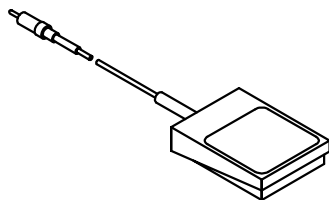
22 LVDT I/O
MODULE



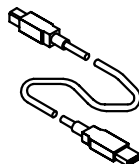
Kurt USB System Options

XX

REFERENCE NUMBER FOR PRICE SHEET (CALL FOR QUOTES)

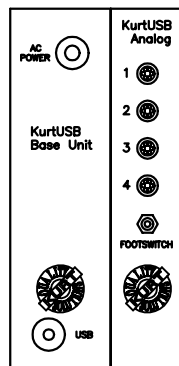
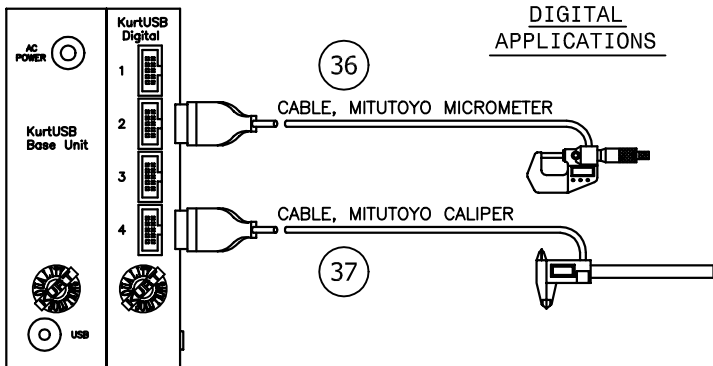


42 FOOT SWITCH



43 USB INTERFACE CABLE
6'-0" A/B MALE/MALE

FOR ADDITIONAL CABLE OPTIONS CONTACT KURT MANUFACTURING



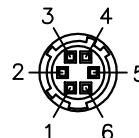
ANALOG APPLICATIONS

WEIGHT SCALES
TEMP. SENSORS
LOAD CELLS

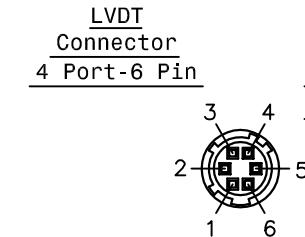
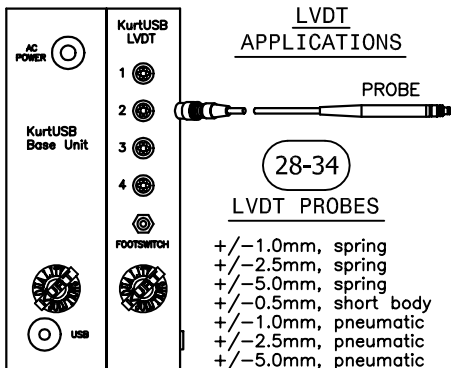
OPTIONAL CURRENT RANGES

- +/- 5 VDC
- +/- 10 VDC
- 0-10 VDC
- 4-20 ma

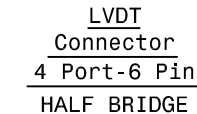
ANALOG Connector
4 Port-6 Pin



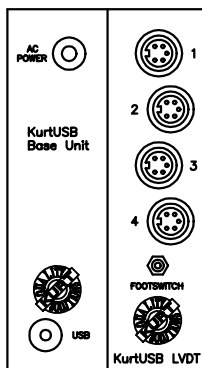
- Pin 1 - Not Used
- Pin 2 - +15 VDC Supply
- Pin 3 - Not Used
- Pin 4 - Signal Ground
- Pin 5 - Signal Input
- Pin 6 - Not Used



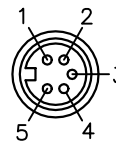
- Pin 1 - Primary (-)
- Pin 2 - Primary (+)
- Pin 3 - Not Used
- Pin 4 - Secondary Return
- Pin 5 - Secondary
- Pin 6 - Not Used



- Pin 1 - Primary (-)
- Pin 2 - Primary (+)
- Pin 3 - Not Used
- Pin 4 - Not Used
- Pin 5 - Secondary
- Pin 6 - Not Used

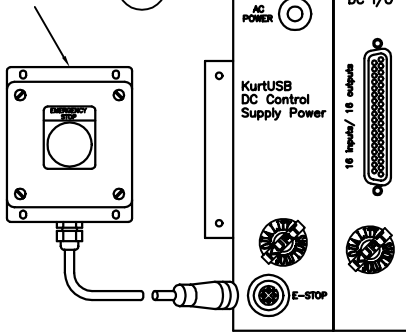


LVDT Connector
4 Port-5 Pin



- Pin 1 - Primary (-)
- Pin 2 - Primary (+)
- Pin 3 - Not Used
- Pin 4 - Secondary Return
- Pin 5 - Secondary

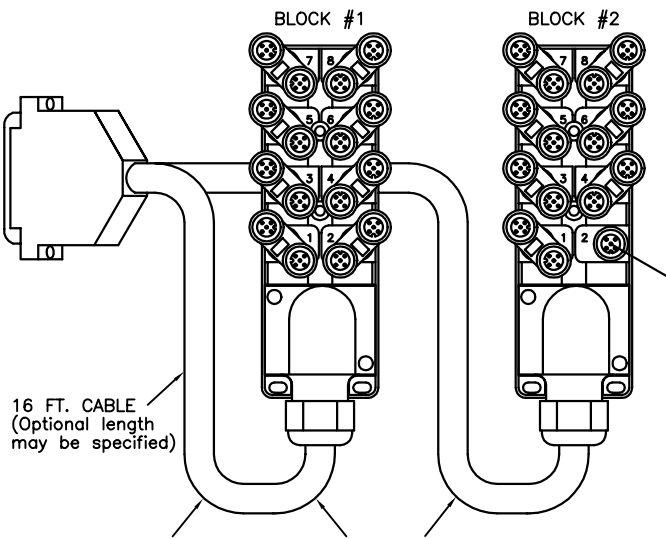
EMERGENCY STOP BOX 41



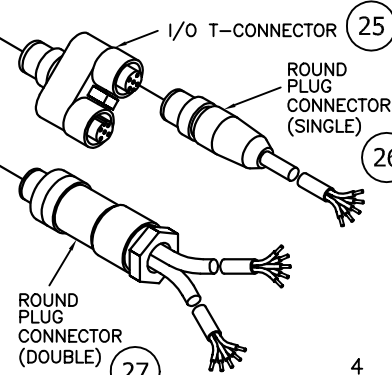
DC I/O APPLICATIONS

- VALVES
- LIGHT STACKS
- INTERLOCKS
- SWITCHES
- PLC's

23 SINGLE CABLE I/O DISTRIBUTION UNIT (BLK.#1 - 4 INPUTS & 4 OUTPUTS) (BLK.#1 - 8 INPUTS & 8 OUTPUTS) WITH OPTIONAL T-CONNECTORS



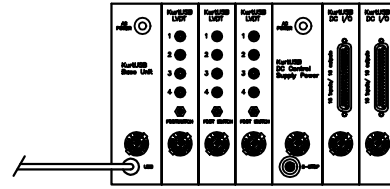
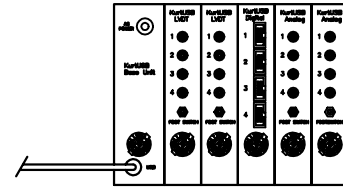
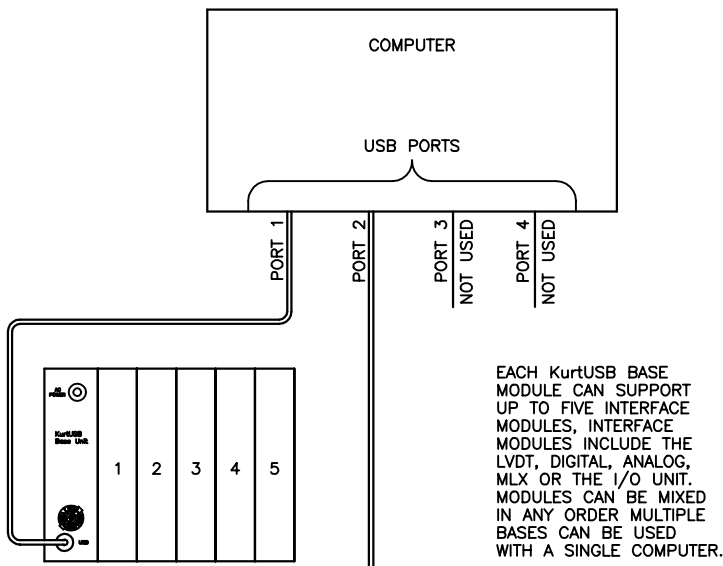
24 DOUBLE CABLE I/O DISTRIBUTION UNIT (BLK.#1 - 8 INPUTS, BLK.#2 - 8 OUTPUTS) (BLK.#1 - 16 INPUTS, BLK.#2 - 16 OUTPUTS) WITH OPTIONAL T-CONNECTORS



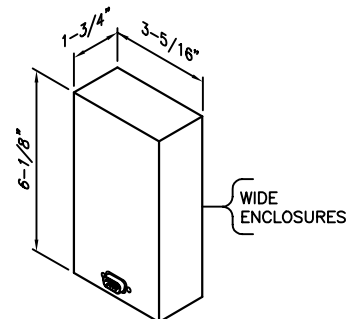
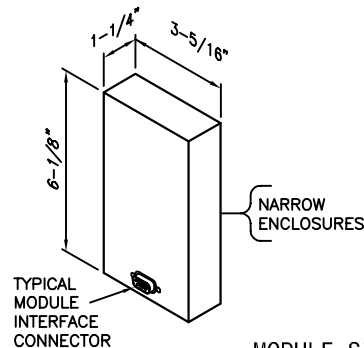
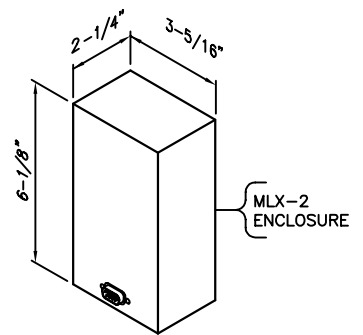
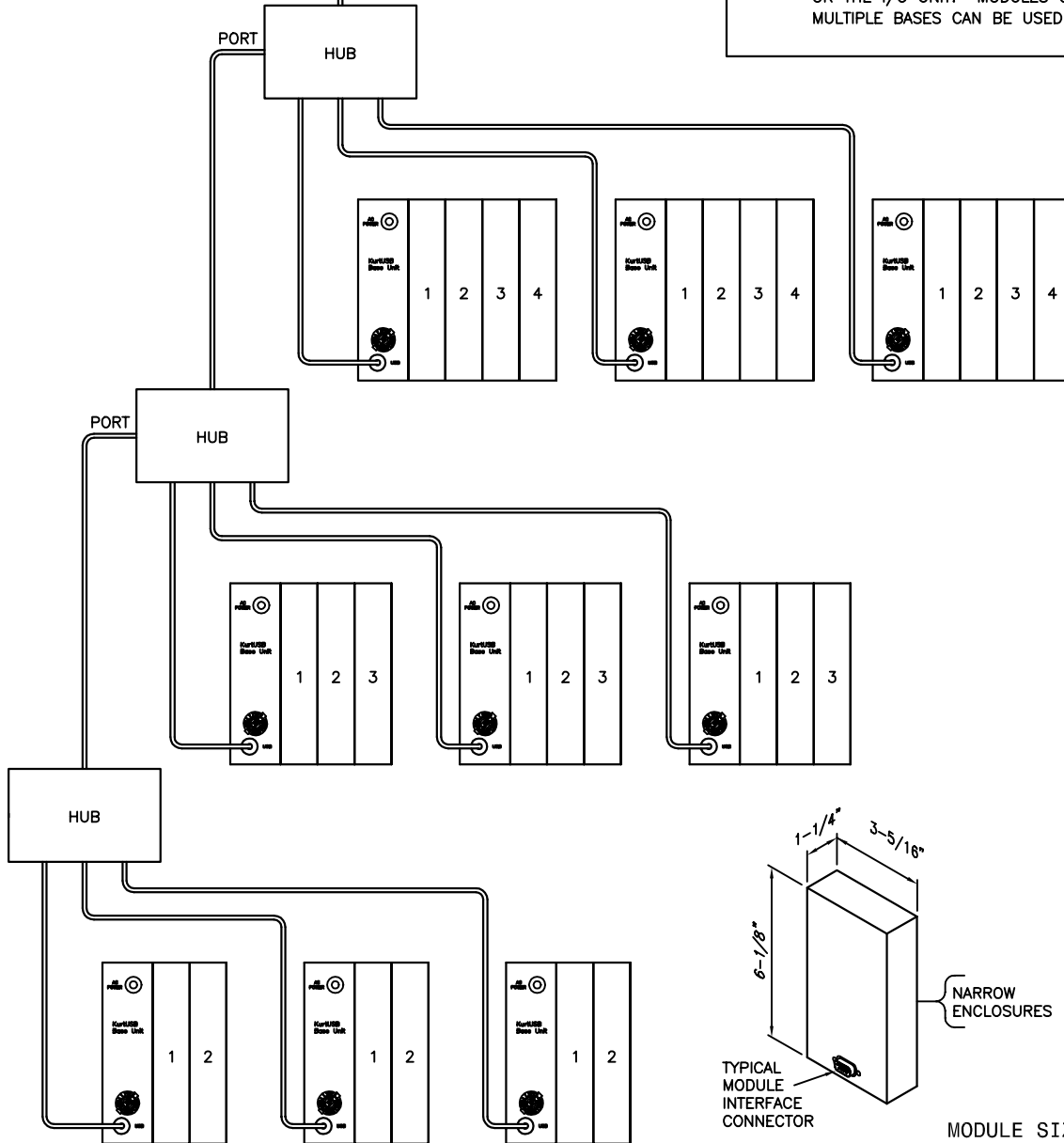
DC I/O Connector

- Pin 1 - (+) 24V (NON E-STOP CIRCUIT)
- Pin 2 - Signal 2 (Not Used)
- Pin 3 - (-) 24V COMMON
- Pin 4 - Signal 1
- Pin 5 - (+) 24V (E-STOP CIRCUIT)

USB Module Stacking



EACH KurtUSB BASE MODULE CAN SUPPORT UP TO FIVE INTERFACE MODULES, INTERFACE MODULES INCLUDE THE LVDT, DIGITAL, ANALOG OR THE I/O UNIT. MODULES CAN BE MIXED IN ANY ORDER MULTIPLE BASES CAN BE USED WITH A SINGLE COMPUTER.



MODULE SIZES

