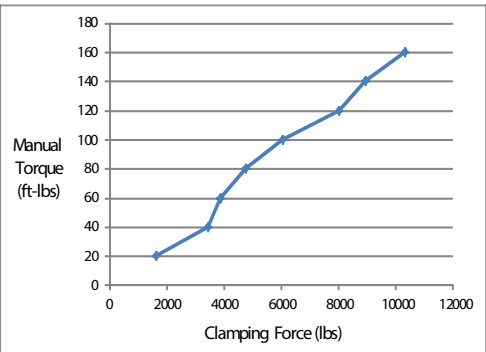
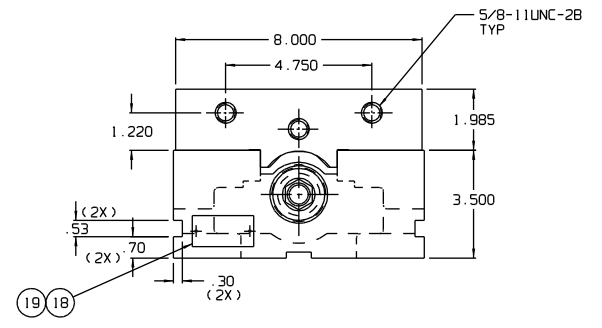
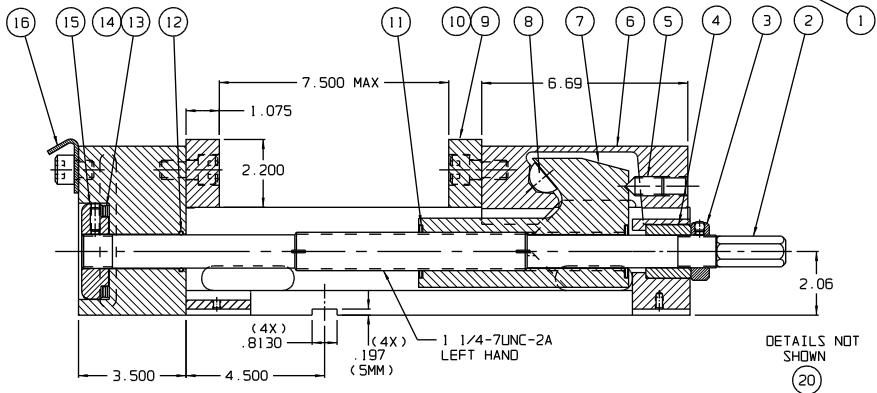
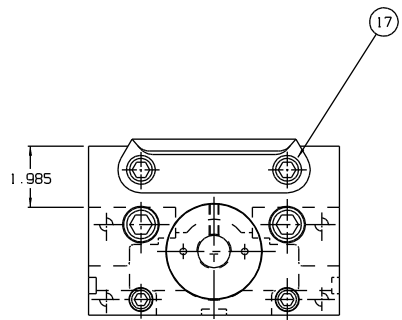
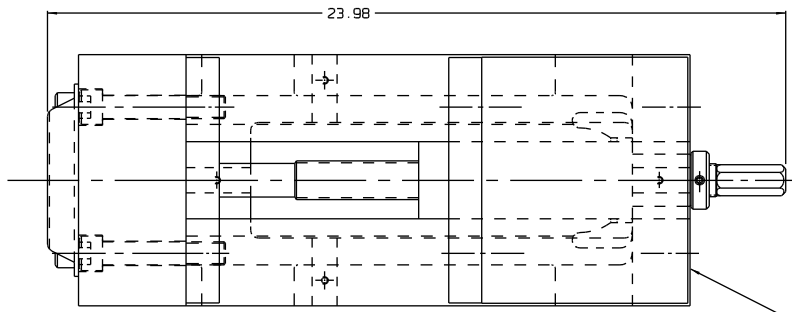
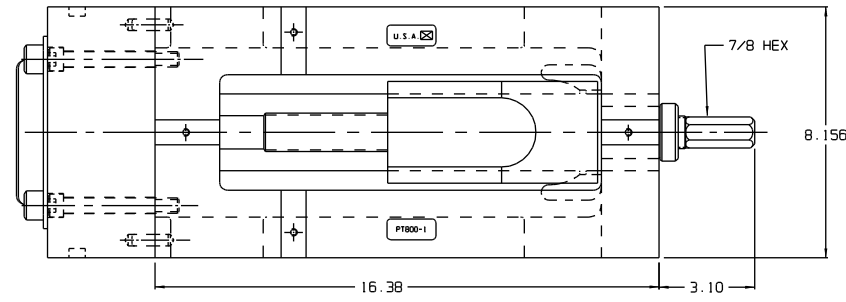


REV	ECO	DESCRIPTION	DATE	BY
A	V2985	SEE ECO	12-03-01	S.JO
B	V3627	SEE ECO	05-14-07	S.JO



Manual Torque (ft-lbs)	20	40	60	80	100	120	140	160
Clamping Force (lbs)	1637	347	385	464	605	803	897	1037



ITEM	PART NO.	QTY	DESCRIPTION	UNIT	PLUR/MFGR
20	D80-10A-SA C10231	1	HANDLE ASSEMBLY	M	
19	07-0230 ND DWG	2	U-TYPE DRIVE SCREW #2 X 1/4 LG	P	
18	PT800-102 B10956	1	MODEL/SERIAL NUMBER TAG	P	
17	00-1474 ND DWG	2	SHCS 5/8-11UNC X 5/8 LG	P	
16	PT800-74 B10387	1	LIFTING HANDLE	M	
15	PT800-91A-SA B10934	1	REAR COLLAR ASS'Y	M	
14	PT800-41 ND DWG	1	INA THRUST BEARING #TC-364B	P	
13	PT800-42 ND DWG	3	TOBINATION THRUST WASHER #T80-364B	P	
12	PT800-99A ND DWG	1	O-RING 37.5 X 1.6 (1.000 X 3.000 CS (1.180) 300 PSI)	P	
11	PT800-211 B10889	2	INTERNAL BRUSH SEAL	P	
10	00-1481 ND DWG	4	SHCS 5/8-11UNC X 1 1/4 LG	P	
9	D80-7 B1366	2	JAW PLATE	M	
8	D80-9 B10671	1	SEGMENT	M	
7	PT800-3A C10966	1	NUIT	M	
6	PT800-2 D10399	1	MOVABLE JAW	M	
5	01-3353 ND DWG	1	SOC HD SET SCREW (CONE PT) 5/8-16NC X 1 1/4LG	P	
4	PT800-186 B10479	1	SPACER	M	
3	PT800-8-SA B10232	1	FRONT COLLAR ASS'Y	M	
2	PT800-5A C10931	1	SCREW	M	
1	PT800-1A-SA D18016	1	BODY & CYLINDER HOUSING ASS'Y	M	

NOTES:
1. ALL DIMENSIONS ARE FOR REF ONLY.

	TOOL NAME: PT800 VISE MODEL OF TOOL: -- TITLE: 8" PT VISE SCALE: 1/2 SHEET 2 OF 4	MODEL OF TOOL: -- TOOL Dwg NO.: D10930 REVISION LEVEL: B CUSTOMER: PT800A TOOL PART NO.: PT800A
DESIGNED: DIR CHECKED: CHEL APPROVED:	DESCRIPTION OF MATERIAL: 2-0 ASSEMBLY	TOOL NO.: -- SCALE: 1/2 SHEET 2 OF 4