




Kurt PFW 5-Axis Vise mounted on a 96 mm quick-change base.

FEATURES

- » Fast hex-wrench vise mounting
- » 96 mm & 52 mm options
- » Obstruction-free machining on five sides of a workpiece
- » Reduce setup times and costs
- » Designed to work with Kurt 5-Axis vises and other brands
- » Includes 4 pull studs and 3/8" hex wrench

New scalable quick-change receiver pallet system, featuring industry-standard pull-stud mounting patterns expands Kurt's 5-Axis lineup.

Designed to be an asset for small shops or scalable for large enterprise applications, Kurt's new 5-axis modular vise and pallet system allows a shop to make a minimal initial investment and expand with more Kurt vises and pallets as needed. Zero-point mounting with a common pull-stud pattern across the Kurt lineup ensures ongoing product compatibility and works with other products on the market.

Kurt quick-change bases are available in three sizes—two 96 mm spacing options for use with Kurt PFW 5-Axis vise models and a 52 mm mounting option for Kurt PF 5-axis vises. 



178 mm x 158 mm | 96 mm Spacing



178 mm with Radius | 96 mm Spacing

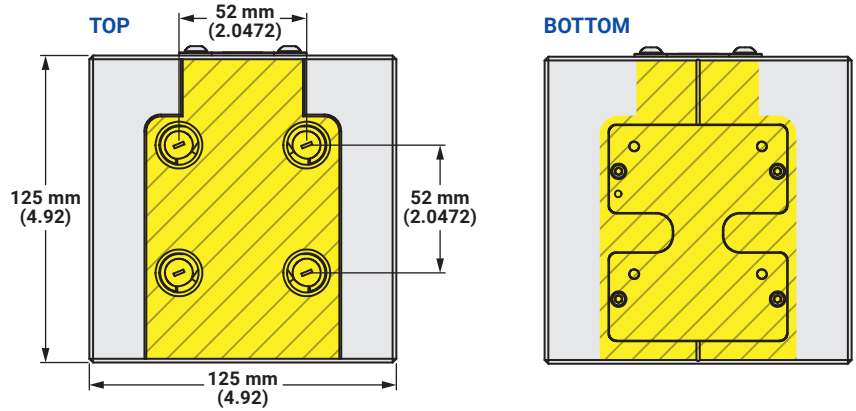
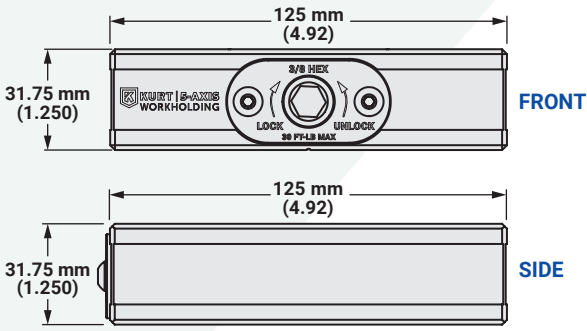


125 mm x 125 mm | 52 mm Spacing

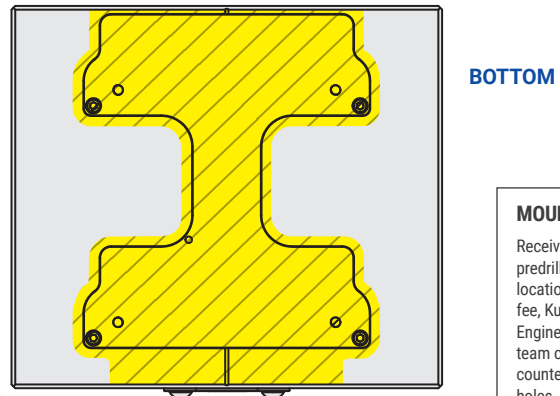
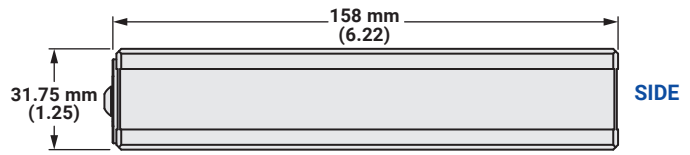
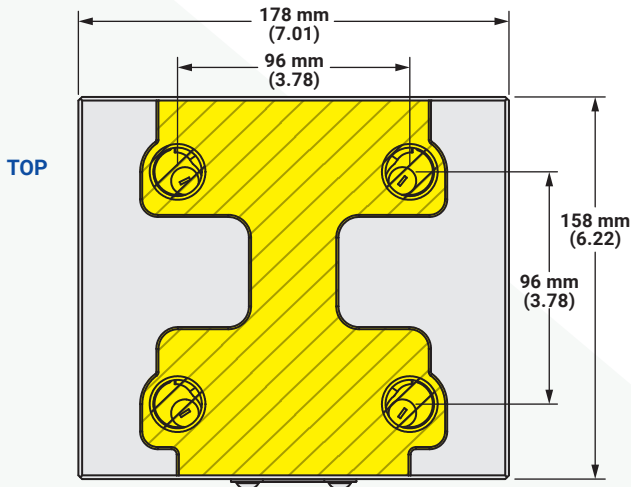
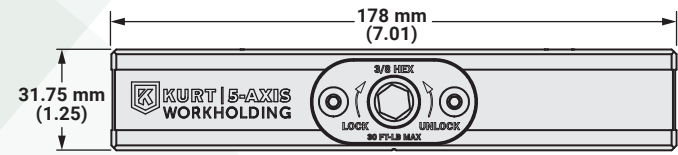
Kurt Quick-Change 5-Axis Receiver Bases

 DRILL MOUNTING HOLES
OUTSIDE YELLOW ZONES

125 mm x 125 mm | 52 mm Spacing | Model 52-A125



178 mm x 158 mm | 96 mm Spacing | Model 96-A178



MOUNTING HOLES

Receiver bases are not predrilled for mounting locations. For a nominal fee, Kurt's Custom Engineered Workholding team can drill and counterbore mounting holes. [Contact Kurt CEW for a quote.](#)

178 mm with Radius | 96 mm Spacing | Model 96-A178R100

